

Proposal

Page No.

Of

Pages

Phone 845-427-5328

Darren McCormack

D.J.M. ENTERPRISES
IRRIGATION SYSTEMS

108 Maybrook Road, Campbell Hall, N.Y. 10916

PROPOSAL SUBMITTED TO <i>Wee Wah Park and Beach Club</i>		PHONE	DATE <i>6/16/03</i>
STREET <i>77 Wee Wah Rd.</i>		JOB NAME	
CITY, STATE and ZIP CODE <i>Tuxedo Park, NY 10987</i>		JOB LOCATION	
ARCHITECT	DATE OF PLANS	JOB PHONE	

We hereby submit specifications and estimates for:

Design and installation of an underground sprinkler system for: *All Lawn Areas, currently Established***System to be designed and installed with use of the following parts:***2* - Rain Bird ESP-Me series, 16 zone automatic controller.'S*30* - Rain Bird DV series, 24 volt electric valves. *1* Master valve and *29* zone valves*143* - Rain Bird 5000 series, rotary sprinkler heads.

- Rain Bird 1800 series, fixed spray sprinkler heads.

1 - Rain Bird 24 volt rain sensor.*5* - 18" x 13" valve box , *13*" round valve box , *7*" round valve box.**All indoor plumbing to be of type L copper, with backflow prevention device.** *- to be performed by***All outdoor plumbing to be of 100lb. test poly pipe.** *others and is not part of this Proposal***Systems parts are guaranteed for two years, labor one year from date of completion.****We Propose** hereby to furnish material and labor - complete in accordance with specifications above, for the sum of:*Twenty Thousand, Eight Hundred Fifteen^{00/100}* dollars (\$ *20,815.00*)
*20% Deposit Day of Start = \$4,165.00, Balance = \$16,650.00 in 3 equal Payments of \$5,550.00***Checks are made payable to: Darren McCormack** *Every 5th Bus. Day as Project Progresses with*

All material is guaranteed to be as specified. All work to be completed in a workmanlike manner according to standard practices. Any alteration or deviation from above specifications involving extra costs will be executed only upon written orders, and will become an extra charge over and above the estimate. All agreements contingent upon strikes, accidents or delays beyond our control. Owner to carry fire, tornado and other necessary insurance. Our workers are fully covered by Workmen's Compensation Insurance.

Authorized
Signature *Darren McCormack*Note: this proposal may be
withdrawn by us if not accepted within _____ days.**Acceptance of Proposal** — The above prices, specifications and conditions are satisfactory and are hereby accepted. You are authorized to do the work as specified. Payment will be made as outlined above.

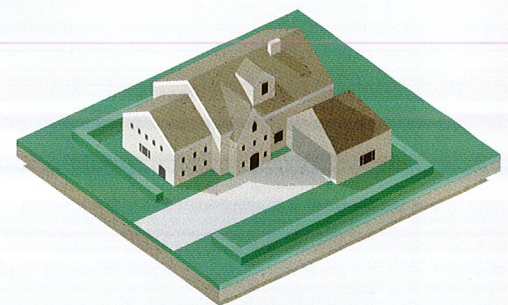
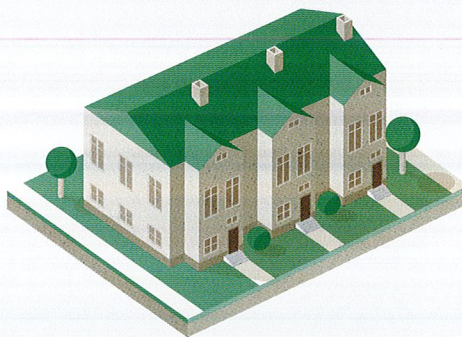
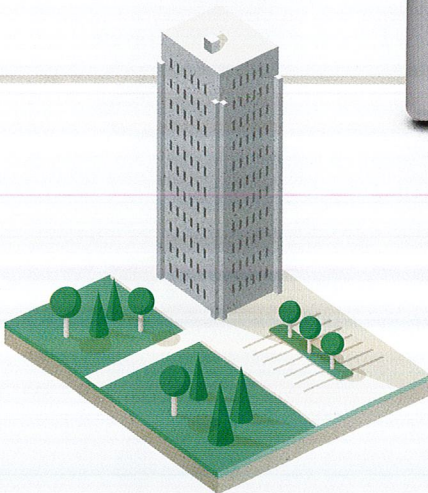
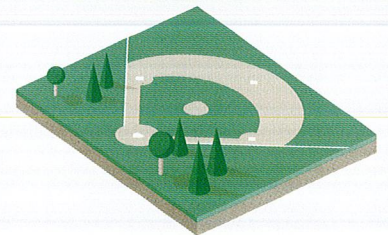
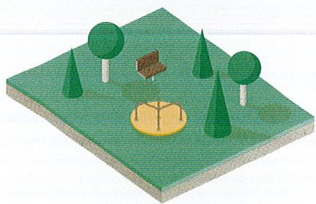
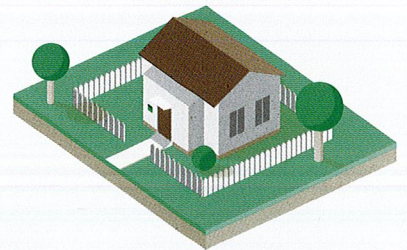
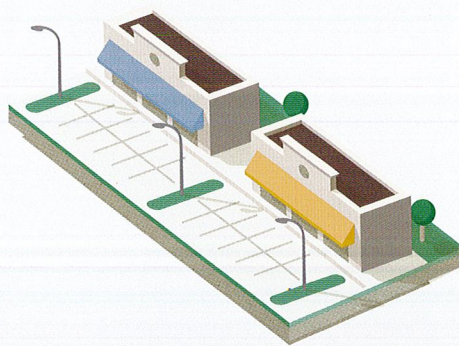
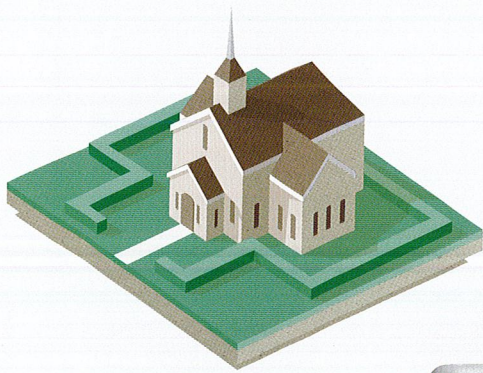
Signature _____

Date of Acceptance: _____

Signature _____

RAIN BIRD®

Rain Bird® ESP-Me Controller Take simplicity to more places.



MODEL DESCRIPTION	MODEL #
ESP4MEI MODULAR 120V INDOOR	ESP4MEI
ESP4ME MODULAR 120V OUTDOOR	ESP4ME
IESP4ME MODULAR 230V FOR EUROPEAN COUNTRIES	IESP4MEEUR
IESP4ME MODULAR 230V FOR CENTRAL AND SOUTH AMERICA	IESP4MECSA
IESP4ME MODULAR 230V FOR AFRICA, MIDDLE EAST AND CHINA	IESP4MEAMC
IESP4ME MODULAR 240V FOR AUSTRALIA	IESP4MEAUS
MODULES	
3-STATION MODULE	ESPSM3
6-STATION MODULE	ESPSM6

TAKE YOURSELF ONLINE TO SEE THE NEW ESP-ME IN ACTION



Scan this QR code or visit www.rainbird.com/esp-me to watch the ESP-Me controller video.



Rain Bird Corporation
 6991 East Southpoint Road
 Tucson, AZ 85756
 Phone: (520) 741-6100
 Fax: (520) 741-6522

Technical Service and Support
 (800) RAINBIRD (U.S. and Canada only)

Rain Bird Corporation
 970 West Sierra Madre Avenue
 Azusa, CA 91702
 Phone: (626) 812-3400
 Fax: (626) 812-3411

Specification Hotline
 (800) 458-3005 (U.S. and Canada only)

Rain Bird International, Inc.
 1000 West Sierra Madre Avenue
 Azusa, CA 91702
 Phone: (626) 963-9311
 Fax: (626) 852-7343

www.rainbird.com

DV and Jar Top Valves

RAIN BIRD®

Rain Bird® DV and Jar Top Valves are durable, reliable and built to last, ensuring you years of worry-free performance.

Application:

DV and Jar Top Valves are used for residential and light commercial applications.

Outstanding Results:

- Rain Bird's industry-leading DV and Jar Top Valves are backed by decades of continuous development, resulting in a level of trusted performance that is unmatched.
- DV and Jar Top valves are engineered to take on the toughest application challenges, even under the worst conditions, so be confident in the knowledge these valves will stand up to the diverse watering needs of your landscape.
- DV and Jar Top Valves feature heavy-duty construction to protect against temperature extremes and high water pressure situations, ensuring hassle-free performance year after year.



Rain Bird Corporation
6991 East Southpoint Road
Tucson, AZ 85706
Phone: (520) 741-6100
Fax: (520) 741-6522

Technical Service and Support
(800) RAINBIRD (U.S. and Canada only)
www.rainbird.com

The Right Choice for
a Beautiful Landscape

The Intelligent Use of Water™ — Visit www.rainbird.com to learn about our efforts.

® Registered Trademark of Rain Bird Corporation

© 2007 Rain Bird Corporation 12/07

D39785A

RSD Series Rain Sensor

RAIN BIRD®

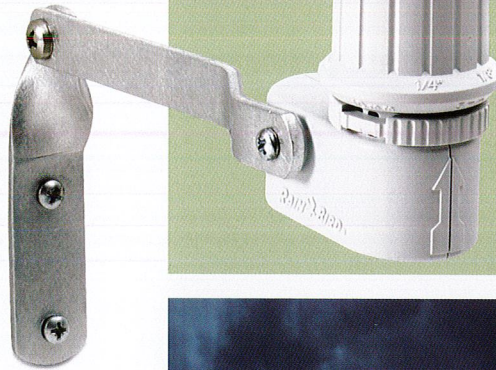
The Rain Bird® RSD Series Rain Sensor automatically shuts off your sprinkler system when it rains, so you don't have to worry when you're home or away.

Application:

The RSD Series Rain Sensor easily connects to most irrigation system controllers.

Outstanding Results:

- The RSD Series Rain Sensors offers flexible, multiple rainfall settings which are quick and easy to adjust with a twist of the dial.
- High-grade, UV-resistant body on an aluminum bracket easily resists the elements, ensuring hassle-free performance.
- An adjustable side vent ring allows the sensor to dry out once it collects water.



Rain Bird Corporation
6991 East Southpoint Road
Tucson, AZ 85756
Phone: (520) 741-6100
Fax: (520) 741-6522

Technical Service and Support
(800) RAINBIRD (U.S. and Canada only)
www.rainbird.com

The Right Choice for
a Beautiful Landscape

The Intelligent Use of Water™ — Visit www.rainbird.com to learn about our efforts.
*Registered Trademark of Rain Bird Corporation
© 2007 Rain Bird Corporation 2/10

D39504B

Sensor de lluvia de la serie RSD

RAIN BIRD®

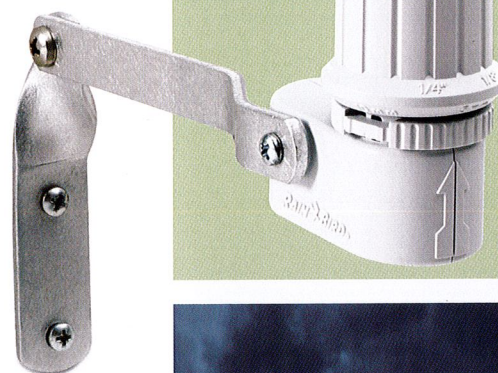
El sensor de lluvia de la serie RSD de Rain Bird® desconecta automáticamente el sistema de aspersores cuando llueve. De este modo, no tendrá que preocuparse cuando se encuentre en casa o fuera de ella.

Uso:

El sensor de lluvia de la serie RSD se conecta de forma sencilla a los programadores de la mayoría de los sistemas de riego.

Resultados extraordinarios:

- El sensor de lluvia de la serie RSD ofrece múltiples y flexibles valores de los niveles de lluvia que se ajustan de manera rápida y sencilla con sólo girar el selector.
- Un cuerpo de calidad superior resistente a los rayos UV sobre un brazo de aluminio resistente que asegura un rendimiento sin complicaciones.
- Tras recoger el agua, el sensor se seca gracias a un anillo ajustable lateral de ventilación.



Rain Bird Corporation
6991 East Southpoint Road
Tucson, AZ 85756
Teléfono: (520) 741-6100
Fax: (520) 741-6522

Servicio técnico y asistencia
(800) RAINBIRD
(sólo para EE. UU. y Canadá)
www.rainbird.com

La mejor opción para tener
un hermoso jardín

The Intelligent Use of Water™ — Visite www.rainbird.com para obtener más información sobre nuestro trabajo.

* Registered Trademark of Rain Bird Corporation
© 2007 Rain Bird Corporation 2/10

5000 Series Rotors Featuring Rain Curtain™ Nozzle Technology

RAIN BIRD®

Relax with the knowledge your landscape is being watered by reliable 5000 Series Rotors and industry-leading Rain Curtain Nozzle Technology.

Application:

Rain Bird® 5000 Series Rotors are ideal for medium to large-size lawns and evenly distribute water from 25 to 50 feet.

Outstanding Results:

SUPERIOR DISTRIBUTION UNIFORMITY

The 5000 Series Rotors with Rain Curtain Technology are engineered to deliver a uniform spray pattern, giving you a consistently green lawn throughout.

SUPERIOR WIND RESISTANCE

The larger water droplets produced by Rain Curtain technology prevent misting and airborne evaporation so the right amount of water is delivered to the right place, saving you water and money.

SUPERIOR CLOSE-IN WATERING

Gentle close-in watering eliminates dry spots around the rotor, prevents seed washout and allows the turf to grow healthy with no matting or bending.

Options:

- 4", 6" and 12" pop-up heights for varying grass or shrub heights.
- Stainless steel riser that is vandal resistant.
- Seal-A-Matic (SAM) check valve which prevents water from pooling at the base of slopes or hillsides.
- Pressure Regulating Stem (PRS) which regulates pressure at the head, assuring optimum performance.



Rain Bird Corporation
6991 East Southpoint Road
Tucson, AZ 85756
Phone: (520) 741-6100
Fax: (520) 741-6522

Technical Service and Support
(800) RAINBIRD (U.S. and Canada only)
www.rainbird.com

The Right Choice for
a Beautiful Landscape

The Intelligent Use of Water™ — Visit www.rainbird.com to learn about our efforts.

® Registered Trademark of Rain Bird Corporation

© 2007 Rain Bird Corporation 2/10

D39428F

RAIN  BIRD®

The Right Choice in Spray Heads
1800 Series Spray Heads



1800 Series Spray Heads

With Rain Bird's 1800 Series Spray Heads, you no longer need to have a green thumb to have a beautiful landscape. These dependable spray heads work like magic to meet all of your yard's watering requirements. Whether they are used in a delicate flower bed or a large grass area, the 1800 Series spray heads will do the job right.



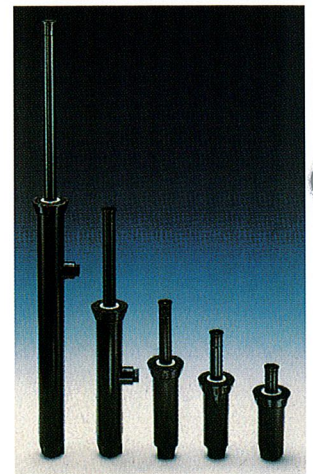
Outstanding Features:

- Innovative design ensures even water distribution with no brown spots.
- Built-in pressure regulator option eliminates wasteful misting.
- Unique Seal-A-Matic™ option prevents puddling and run-off that can erode a landscape.
- Patented, pressure-activated wiper seal provides optimum pop-up and pop-down reliability, while reducing water waste.
- Wide selection of nozzles allows for a tailored irrigation system and ensures accurate water delivery.



A Spray Head for Every Landscape

A variety of nozzle sizes and spray patterns means virtually any landscape area is watered easily. The 2", 3" and 4" pop-up heights are perfect for watering most grass areas, while the 6" and 12" models provide superb irrigation for shrubs and flower beds. There are even gentle flows for watering delicate plants and flowers.



For customer information, call 1-800-247-3782 (U.S. only).

RAIN BIRD®

Rain Bird Corporation

970 West Sierra Madre Avenue
Azusa, CA 91702
Phone: (626) 963-9311
Fax: (626) 812-3411

www.rainbird.com

♻️ Recycled Paper.

Rain Bird. Conserving More Than Water.

® Registered Trademark of Rain Bird Corporation

© 2002 Rain Bird Corporation 01/02