

MODERN AESTHETIC, CLASSIC DESIGN

Our Signature Series double hung windows offer the best of all worlds — modern style, versatile operation, and cost-effective luxury. Maximize ventilation in your home and enjoy easy cleaning with a design that features slim lines and large glass profiles.



Sophisticated and Secure

Our top-of-the-line **locking hardware** is available in a surface-mounted configuration, in addition to the traditional flush-mounted lock.

Easy Cleaning

Both sash on the Signature Series double hung tilt in for **easy cleaning** by engaging the tilt latches on the top of each unit. The tilt latch locks the unit with one easy movement securing the unit against outside elements.

Working Undercover

The **concealed jamb liner**, available in both wood or vinyl, overlays all mechanical balance systems to create a tailored aesthetic.

High Quality Exteriors

Our aluminum exterior-clad wood products feature **commercial-grade premium paint** that resists fading and chalking. Extruded aluminum resists dents, dings and scratches and is backed by Weather Shield's 20-year limited warranty.

Butt jointed cladding accurately mimics traditional wood windows for a familiar aesthetic.

The Beauty is in the Details

The **rigid integral nailing fin** makes installation simple and provides more durability than flimsy snap-in or fold-out fins found with other windows.

INTERIOR & EXTERIOR OPTIONS



FINISH OPTIONS

Performance, quality and innovation are driving factors in everything we do, but we also believe in the importance of giving you all the style and aesthetic options you need to bring your dream home to life. Our Signature Series offers three wood species and a range of ten durable factory finishes — luxurious options at an affordable price point so your home can leave its mark on the neighborhood and not your wallet.

Durable Factory Finishes

Save time and money with factory finishing for all of our solid wood interiors. The wood is stained and sealed on all surfaces to repel moisture, and includes two Clear Satin top coats for durability and easy cleaning.

WOOD OPTIONS



PINE
(UNFINISHED)



MIXED
GRAIN FIR



ALDER
(CHARACTER)

FACTORY FINISHES ON PINE*



CLEAR SATIN



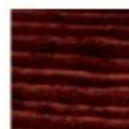
CHESTNUT



FRUITWOOD



GOLDEN OAK



RICH MAHOGANY



PRIMED



PREFINISHED
WHITE/BLACK
(LATEX)



BLACK/WHITE
POLY PAINT

Color Options (Interior and Exterior)

ANODIZED ALUMINUM FINISHES



RADIANT METALLIC



12 STANDARD COLORS



45 DESIGNER COLORS





**Fiber-Classic.
Mahogany Collection™**

Fiber-Classic Mahogany complements rich wood tones in home interiors, extending the look to the outside with beauty and elegance.



**Fiber-Classic.
Oak Collection™**

Fiber-Classic Oak is the door that started the fiberglass revolution and features the warm look and feel of natural Oak graining.



Smooth-Star.

Smooth-Star fiberglass doors are ready-to-paint with crisp, clean contours making them the more attractive and durable alternative to steel.

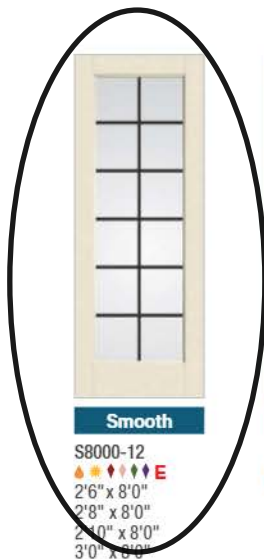
**SEE THE DIFFERENCE
COLOR CAN MAKE.**

Therma-Tru offers a wide variety of finish options for our doors. Explore PrismaGuard, premium finish and Same-Day, Stain color options on pages 258–264.

Glass Options

- Explore a portfolio of interchangeable decorative glass designs, and privacy and textured glass options starting on page 114.
- Lite frame options include Advanta™ lite frame with no screw plugs and a standard Lip-lite frame, starting on page 139. Both feature 22" wide glass and are suitable for use with a storm door.
- Welcome even more light into the home with EnLiten™ flush-glazed designs with 25–27" wide glass, starting on page 124.
- Low-E glass is available for internal blinds, divided lites and clear glass, providing exceptional energy efficiency.





Smooth
S8000-12
 ▲▲▲▲▲▲ E
 2'6" x 8'0" ▲
 2'8" x 8'0" ▲
 2'10" x 8'0" ▲
 3'0" x 8'0" ▲



Smooth
S8000-18
 ▲▲▲▲▲▲ E
 2'6" x 8'0" ▲
 2'8" x 8'0" ▲
 2'10" x 8'0" ▲
 3'0" x 8'0" ▲



Smooth
S5705
 ▲▲▲▲ E 6
 2'6" x 6'8" ▲
 2'8" x 6'8" ▲
 2'10" x 6'8" ▲
 3'0" x 6'8" ▲



Smooth
S85705
 ▲▲▲▲ E 6
 2'6" x 8'0" ▲
 2'8" x 8'0" ▲
 2'10" x 8'0" ▲
 3'0" x 8'0" ▲



Smooth
S5715
 ▲▲▲▲ E 6
 2'6" x 6'8" ▲
 2'8" x 6'8" ▲
 2'10" x 6'8" ▲
 3'0" x 6'8" ▲



Smooth
S85715
 ▲▲▲▲ E 6
 2'6" x 8'0" ▲
 2'8" x 8'0" ▲
 2'10" x 8'0" ▲
 3'0" x 8'0" ▲



Smooth
S5725
 ▲▲▲▲ E 6
 2'6" x 6'8" ▲
 2'8" x 6'8" ▲
 2'10" x 6'8" ▲
 3'0" x 6'8" ▲



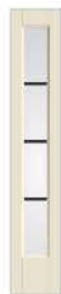
Smooth
S85725
 ▲▲▲▲ E 6
 2'6" x 8'0" ▲
 2'8" x 8'0" ▲
 2'10" x 8'0" ▲
 3'0" x 8'0" ▲



Smooth
S1205SL
 ▲▲▲▲▲ E
 10" x 6'8" ▲
 12" x 6'8" ▲ (7'0")
 14" x 6'8" ▲ (7'0")



Smooth
S1206SL
 ▲▲▲▲▲ E
 10" x 6'8" ▲
 12" x 6'8" ▲ (7'0")
 14" x 6'8" ▲ (7'0")



Smooth
S1204SL
 ▲▲▲▲▲ E
 10" x 6'8" ▲
 12" x 6'8" ▲ (7'0")
 14" x 6'8" ▲ (7'0")



Smooth
S2010SL
 ▲▲▲▲ E
 10" x 6'8" ▲
 12" x 6'8" ▲ (7'0")
 14" x 6'8" ▲ (7'0")



Smooth
S85226SL
 ▲▲▲ E
 12" x 8'0" ▲
 14" x 8'0" ▲



Smooth
S2000SL-2C
 ▲▲▲ E
 10" x 6'8" ▲
 12" x 6'8" ▲ (7'0")
 14" x 6'8" ▲ (7'0")



Smooth
S2000SL-4C
 ▲▲▲ E
 10" x 6'8" ▲
 12" x 6'8" ▲ (7'0")
 14" x 6'8" ▲ (7'0")



Smooth
S2009
 ▲▲▲▲ E
 2'0" x 6'8" ▲
 2'6" x 6'8" ▲
 2'8" x 6'8" ▲
 2'10" x 6'8" ▲
 3'0" x 6'8" ▲



Smooth
S5700
 ▲▲▲ E 6
 2'6" x 6'8" ▲
 2'8" x 6'8" ▲
 2'10" x 6'8" ▲
 3'0" x 6'8" ▲



Smooth
S85700
 ▲▲▲ E 6
 2'6" x 8'0" ▲
 2'8" x 8'0" ▲
 2'10" x 8'0" ▲
 3'0" x 8'0" ▲



Smooth
S5710
 ▲▲▲ E 6
 2'6" x 6'8" ▲
 2'8" x 6'8" ▲
 2'10" x 6'8" ▲
 3'0" x 6'8" ▲



Smooth
S85710
 ▲▲▲ E 6
 2'6" x 8'0" ▲
 2'8" x 8'0" ▲
 2'10" x 8'0" ▲
 3'0" x 8'0" ▲



Smooth
S5720
 ▲▲▲ E 6
 2'6" x 6'8" ▲
 2'8" x 6'8" ▲
 2'10" x 6'8" ▲
 3'0" x 6'8" ▲



Smooth
S691
 ▲▲▲ E 6
 2'6" x 6'8" ▲
 2'8" x 6'8" ▲
 2'10" x 6'8" ▲
 3'0" x 6'8" ▲



Smooth
S8691
 ▲▲▲ E 6
 2'6" x 8'0" ▲
 2'8" x 8'0" ▲
 2'10" x 8'0" ▲
 3'0" x 8'0" ▲



Smooth
S3400L
 ▲▲▲ E 6
 2'6" x 6'8" ▲
 2'8" x 6'8" ▲
 2'10" x 6'8" ▲
 3'0" x 6'8" ▲



Smooth
S83400L
 ▲▲▲ E 6
 2'6" x 8'0" ▲
 2'8" x 8'0" ▲
 2'10" x 8'0" ▲
 3'0" x 8'0" ▲

CLEAR GLASS WITH DIVIDED LITES *Continues on next page.*









Key

- ▲ Flush-Glazed Glass with Detailed Sticking (FG)
- ☀ Low-E Glass (LE)
- ▢ Simulated Divided Lites (SDL)
- ▣ Simulated Divided Lites (SDLF2)

- ▣ Simulated Divided Lites (SDLF2)
- ◆ Flat or Contour White Grilles Between Glass (GBGF / GBGC)
- ◆ Flat or Contour Black Grilles Between Glass (GBGF / GBGC)
- ◆ Flat Almond Grilles Between Glass (GBGF)

- ◆ Flat Bronze Grilles Between Glass (GBGF)
- ◆ Flat or Contour Black Grilles Between Glass (GBGF / GBGC)
- Vented Sidelite Options

- 6 WBDR Options
- E Elevated 10" Bottom Rail Options
- ▲ 6" Height Available

							
Oak	Oak	Oak	Oak	Oak	Oak	Oak	Oak
FC06188SL 10" x 6'8" 12" x 6'8" 14" x 6'8"	FC06184SL 12" x 6'8" Δ (7'0") 14" x 6'8" Δ (7'0")	FC06189SL 10" x 6'8" 12" x 6'8" 14" x 6'8"	FC06185SL 12" x 6'8" Δ (7'0") 14" x 6'8" Δ (7'0")	FC06190SL 10" x 6'8" 12" x 6'8" 14" x 6'8"	FC06186SL 12" x 6'8" Δ (7'0") 14" x 6'8" Δ (7'0")	FC198 2'6" x 6'8" 2'8" x 6'8" (7'0") 2'10" x 6'8" (7'0") 3'0" x 6'8" (7'0")	1289 2'6" x 6'8" Δ (7'0") 2'8" x 6'8" Δ (7'0") 2'10" x 6'8" Δ (7'0") 3'0" x 6'8" Δ (7'0")

						
Oak	Oak	Smooth	Smooth	Smooth	Smooth	Smooth
FC198SL 10" x 6'8" 12" x 6'8" 14" x 6'8"	FC1289SL 12" x 6'8" Δ (7'0") 14" x 6'8" Δ (7'0")	S1209 2'6" x 6'8" 2'8" x 6'8" (7'0") 2'10" x 6'8" (7'0") 3'0" x 6'8" (7'0")	S1201 2'6" x 6'8" Δ 2'8" x 6'8" Δ (7'0") 2'10" x 6'8" Δ (7'0") 3'0" x 6'8" Δ (7'0") 3'6" x 6'8"	S1211 2'6" x 6'8" 2'8" x 6'8" (7'0") 2'10" x 6'8" (7'0") 3'0" x 6'8" (7'0")	S1202 2'6" x 6'8" Δ 2'8" x 6'8" Δ (7'0") 2'10" x 6'8" Δ (7'0") 3'0" x 6'8" Δ (7'0") 3'6" x 6'8"	S1212 2'6" x 6'8" 2'8" x 6'8" (7'0") 2'10" x 6'8" (7'0") 3'0" x 6'8" (7'0")

						
Smooth	Smooth	Smooth	Smooth	Smooth	Smooth	Smooth
S1203 2'6" x 6'8" Δ 2'8" x 6'8" Δ (7'0") 2'10" x 6'8" Δ (7'0") 3'0" x 6'8" Δ (7'0") 3'6" x 6'8"	S128 2'6" x 6'8" 2'8" x 6'8" (7'0") 2'10" x 6'8" (7'0") 3'0" x 6'8" (7'0")	S141 2'6" x 6'8" Δ 2'8" x 6'8" Δ (7'0") 2'10" x 6'8" Δ (7'0") 3'0" x 6'8" Δ (7'0") 3'6" x 6'8"	S1208 2'6" x 6'8" 2'8" x 6'8" (7'0") 2'10" x 6'8" (7'0") 3'0" x 6'8" (7'0")	S1200 2'6" x 6'8" Δ 2'8" x 6'8" Δ (7'0") 2'10" x 6'8" Δ (7'0") 3'0" x 6'8" Δ (7'0") 3'6" x 6'8"	S108 2'6" x 6'8" 2'8" x 6'8" (7'0") 2'10" x 6'8" (7'0") 3'0" x 6'8" (7'0")	S6063 2'6" x 6'8" Δ 2'8" x 6'8" Δ (7'0") 2'10" x 6'8" Δ (7'0") 3'0" x 6'8" Δ (7'0") 3'6" x 6'8"

EnLiten™ Flush-Glazed Low-E / Clear Glass with Divided Lites

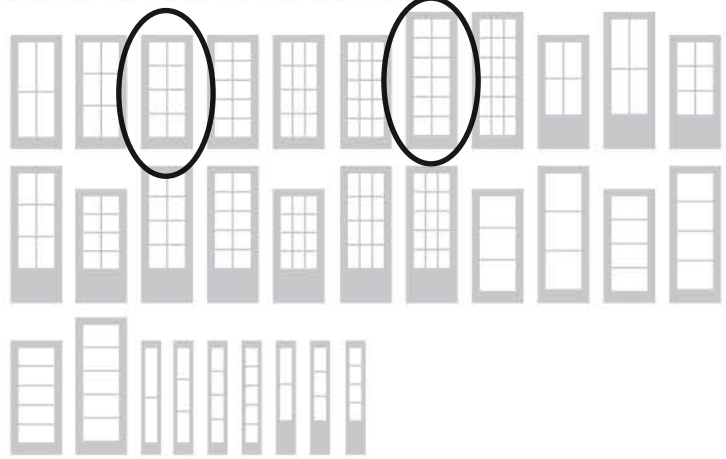
Colonial Style



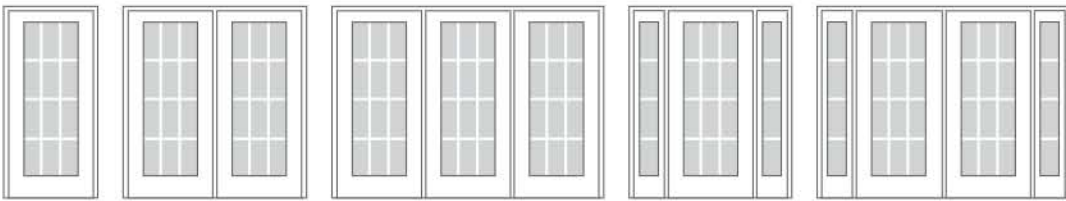
AVAILABLE COLLECTIONS

- Fiber-Classic: Oak
- Smooth-Star:

AVAILABLE DOOR STYLES



AVAILABLE CONFIGURATIONS



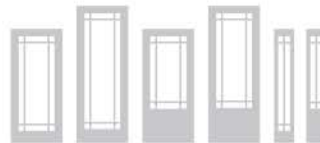
Prairie Style



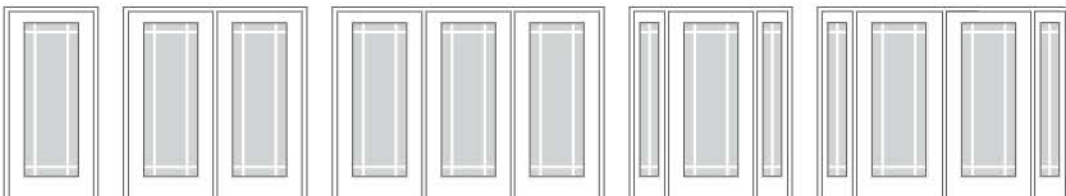
AVAILABLE COLLECTIONS

- Fiber-Classic: Oak
- Smooth-Star:

AVAILABLE DOOR STYLES



AVAILABLE CONFIGURATIONS



MOUNT VERNON LED

OLDE BRONZE® FINISH OVER SOLID BRASS
WITH ETCHED SEEDY GLASS



A | 9707 OZLED



B | 9708 OZLED



C | 9809 OZLED
Outdoor Pendant

Mount Vernon
is also available in
Incandescent and
Energy Efficient
versions. See pages
692-696

LED OUTPUT

9707 OZLED	584 Lumens, 9.9 Watts 3000 Kelvin, CRI 80, 40K Life
9708 OZLED	584 Lumens, 9.9 Watts 3000 Kelvin, CRI 80, 40K Life
9709 OZLED	584 Lumens, 9.9 Watts 3000 Kelvin, CRI 80, 40K Life
9809 OZLED	584 Lumens, 9.9 Watts 3000 Kelvin, CRI 80, 40K Life
9909 OZLED	584 Lumens, 9.9 Watts 3000 Kelvin, CRI 80, 40K Life



D | 9709 OZLED



E | 9909 OZLED
Post Lantern

MOUNT VERNON LED

	LED ITEM #	FINISH	LIGHT SOURCE	W	H	OVRLL. H	EXTRA WIRE	CHAIN/STEM	EXT.	HCWO	NOTES
A	9708 OZLED	OZ	9W	7.5	16.75	---	---	---	8.25	6.75	
B	9709 OZLED	OZ	9W	9.5	19.5	---	---	---	10.25	7.25	
C	9707 OZLED	OZ	9W	5.75	12.5	---	---	---	6.25	5.25	
D	9809 OZ LED	OZ	9W	9.5	18.5	93	28	72	---	---	Additional chain 2996 OZ.
E	9909 OZLED	OZ	9W	9.5	20.75	---	---	---	---	---	

Measurements shown in inches.

Kichler Landscape LED 6" Wide Bronze 3000K Hardscape Light

\$109.99

Pay in 4 interest-free payments of \$27.50 with **PayPal**. [Learn more](#)

FREE SHIPPING* | [Price Matching Policy](#)

In Stock - [Ships in 1 to 2 Days](#)

1

ADD TO CART

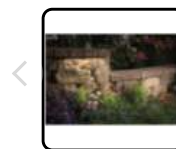
SAVE

[Build Full System](#)



DESIGN CHAT

Finish Bronze



Bronze



Black



Brass



Gray

Need help? Call **800-782-1967** or [LIVE CHAT](#)

Product Details

This bronze finish 3000K low voltage hardscape landscape light is part of an exterior lighting installation project.

Additional Info:

This landscape LED 3000K hardscape light is 6 inches wide and designed for use in Kichler and other outdoor lighting systems. A textured architectural bronze finish over aluminum construction matches or complements related components. With an average 40,000 hours at 3 hours per day of low voltage 12V LED lighting, it offers energy efficiency. Includes mounting bracket. By Kichler.

KICHLER



[Shop all Kichler](#)

Specifications

- 6" wide x 3" deep x 3/4" high. Weighs 0.45 lb.
- Built-in non-dimmable LED module. 40 lumen light output, comparable to a 5 watt incandescent. 3000K color temperature. 80 CRI.
- Landscape energy-efficient LED hardscape light from Kichler.
- Textured architectural bronze finish over aluminum construction.
- LED averages 40,000 hours at 3 hours per day. Low voltage - 12V. Includes mounting bracket.



Product Attributes

Style	Contemporary
Finish	Bronze
Type	Low Voltage
Color	Brown
Brand	Kichler

Technical Specifications

Height	.75 inches
Depth	6.00 inches
Manufacturer Number	16101AZT30

More You May Like | [View All](#)



Kichler Landscape LED 6" Wide Bronze 2700K Hardscape Light
\$109.99



Kichler Landscape LED 12" Wide Bronze 3000K Hardscape Light
\$154.99



Kichler Landscape LED 6" Wide Brass 3000K Hardscape Light
\$129.99



Hinkley Nuv Deck Light
\$79.00

Build Full System

Build Your Own Landscape Light System





Select the number of lights you want, calculate the total wattage of all the lights, choose a transformer rated for more than the total wattage, then add cable and connectors.

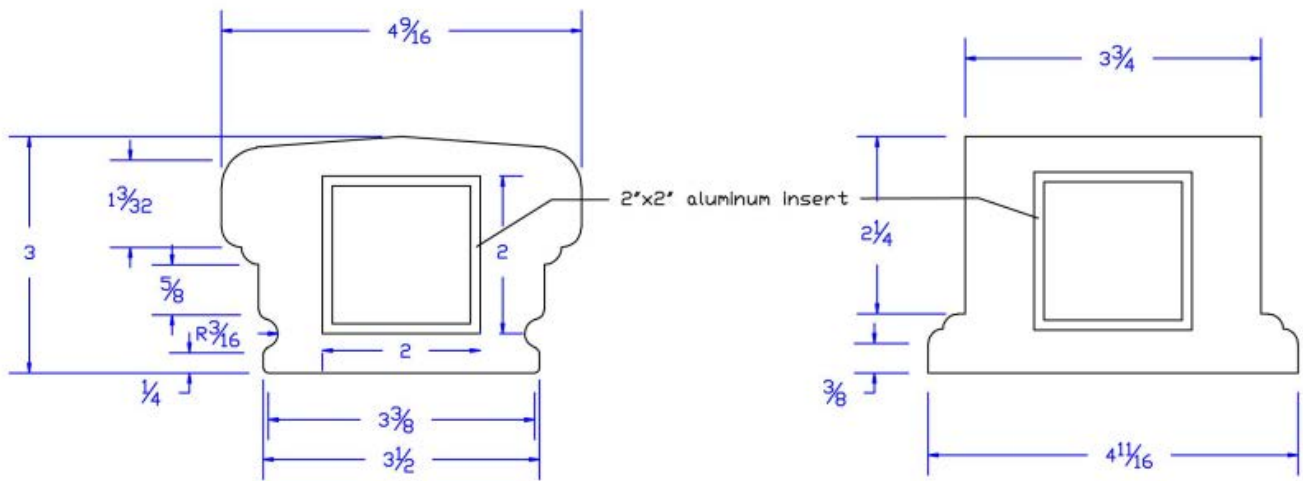
Need Help With Your System?



or call us at **800-782-1967**

Your Landscape Lighting Choices

	Item #	Quantity	Unit Price
 Kichler Landscape LED 6" Wide Bronze 3000K Hardscape Light	77K58	<input checked="" type="checkbox"/>	\$109.99
 John Timberland 45 Watt Landscape Transformer with Photocell	2N754	<input type="checkbox"/>	\$39.99
 John Timberland 150W Landscape Transformer with Photocell	39549	<input type="checkbox"/>	\$99.99
 Bag of 20 Gel-Filled Low Voltage Wire Connectors	5G986	<input type="checkbox"/>	\$24.00



310 6TH STREET
TOWNSEND, MT 59644
PHONE: (888) 459-9965

GENERAL NOTES:

1. All products are drawn for presentation purpose only therefore image may vary slightly from actual image part.
2. American Porch, LLC reserves the right to change any product design at any time without notification.
3. American Porch, LLC makes no guarantee of suitability on any specific application. Choice of dimensions, quantities, and designs are the sole responsibility of the customer.

PRODUCT NAME:

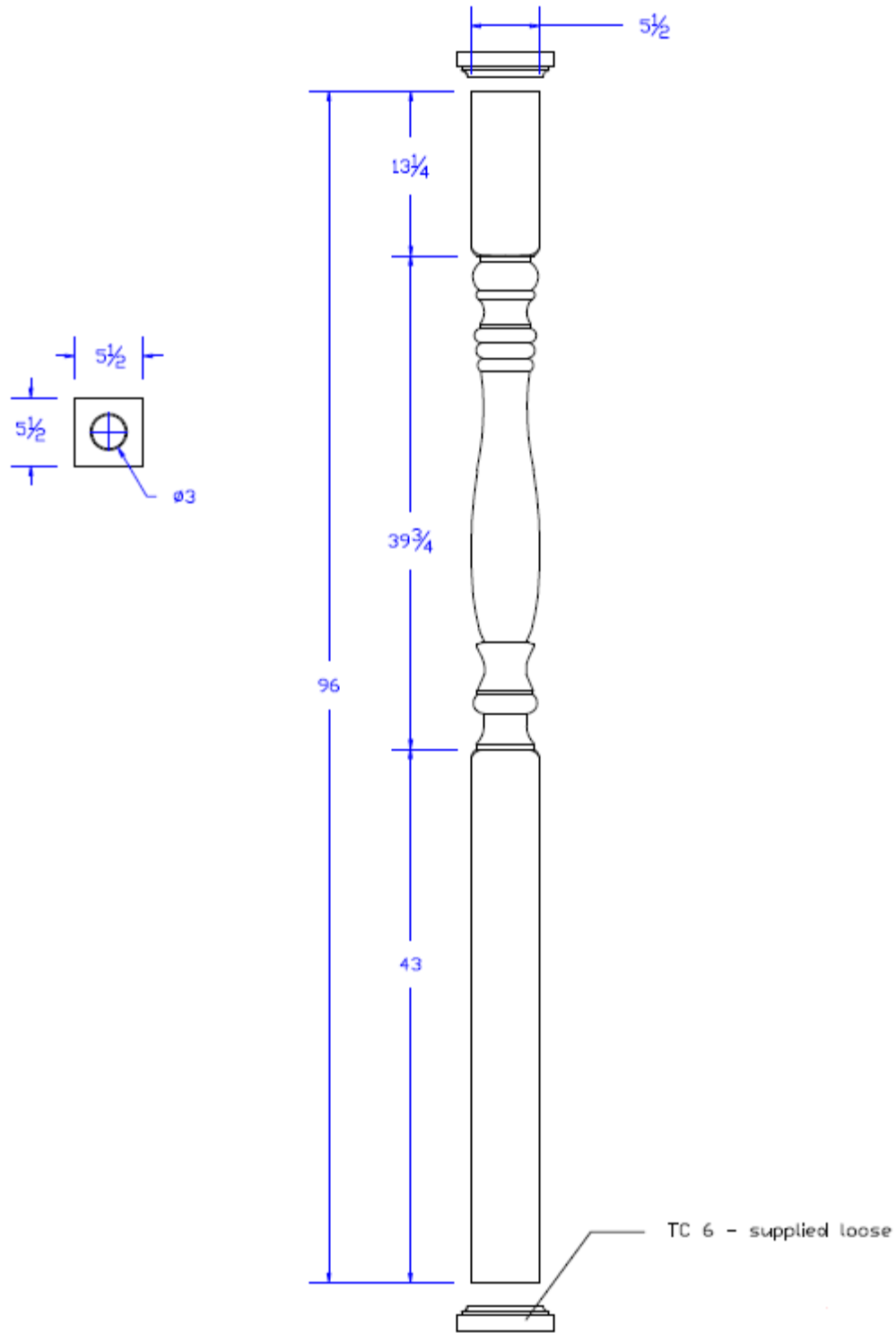
4 1/2" Top Rail & Bottom Rail

PRODUCT #:

TR 202 & BR 203

PRODUCT DESCRIPTION:

4 1/2" Poly Rail System



310 6TH STREET
TOWNSEND, MT 59644
PHONE: (888) 459-9965

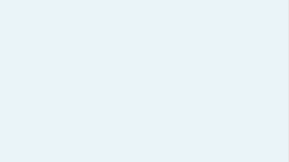
GENERAL NOTES:

1. All products are drawn for presentation purpose only therefore image may vary slightly from actual image part.
2. American Porch, LLC reserves the right to change any product design at any time without notification.
3. American Porch, LLC makes no guarantee of suitability on any specific application. Choice of dimensions, quantities, and designs are the sole responsibility of the customer.

PRODUCT NAME:
Victorian Porch Post

PRODUCT #:
TPP 3058-8

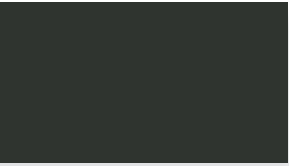
PRODUCT DESCRIPTION:
5 1/2" x 96" Victorian Poly Porch Post



BONE WHITE



BURGUNDY



CHARCOAL GRAY



COLONIAL RED



DARK BRONZE



DOVE GRAY



DEEP RED



EVERGLADE MOSS



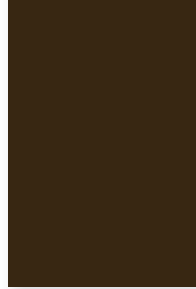
FOREST GREEN



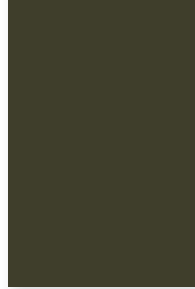
HARTFORD GREEN



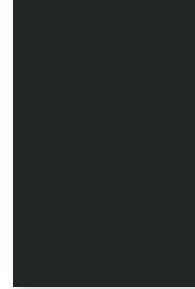
HEMLOCK GREEN



MANSARD BROWN



MEDIUM BRONZE



MATTE BLACK



PACIFIC BLUE



PATINA GREEN



ROYAL BLUE



SLATE BLUE



SLATE GRAY



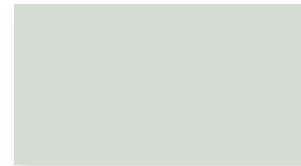
SUNNET BLUE



SANDSTONE



SIERRA TAN



STONE WHITE



TERRA COTTA



Standard COLORS and COATINGS

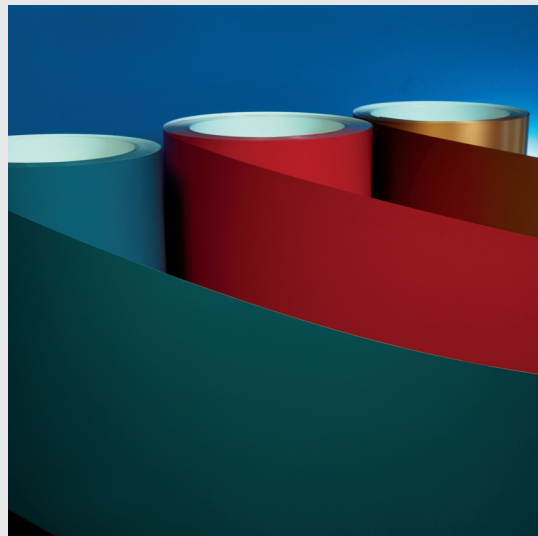
PERMACOLOR 3500 PERMAMETALLIC 3500

Full Strength 70% Kynar 500®/Hylar 5000®

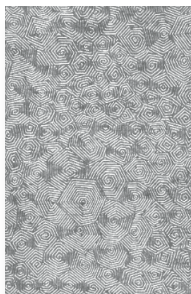
All colors available in Galvalume and Aluminum

To view current SRI values, please visit the Englert website.

Colors shown are close to actual finishes however, due to the limitations of printing processes, slight variations may exist. Please contact Englert for actual color chips before ordering.



MILL FINISH
GALVALUME-PLUS®



PERMAMETALLICS 3500*

*Premium priced paint systems.

CHAMPAGNE*
(Metallic)
Mica 2-Coat System



COPPER*
(Metallic)
Mica 2-Coat System



PREWEATHERED GALVALUME®*
(Metallic) Mica 2-Coat System



FINISHES THAT MEET ANY DESIGN OBJECTIVE

Englert is one of the few single-source metal roof manufacturers with an in-house coil coating line and an exceptionally broad range of finishes, whether the design calls for a natural weathered appearance or bright, high-performance, full-strength fluorocarbon colors.

Custom Colors

We can match the color of virtually any material, including brick, wood and fabric. Englert offers short lead times, and our minimum custom-color order requirements are among the industry's lowest.



ROOFING KYNAR-COATED STANDARDS IN STOCK - SHEET AND COIL

COLORS	STEEL			ALUMINUM			
	22g	24g	26g	.032	.040	.050	.063
Galvalume-Plus®		✓	✓				
Burgundy	•	✓	•	✓	•	•	•
Bone White	•	✓	•	✓	✓	✓	•
Charcoal Gray	•	✓	✓	✓	✓	✓	•
Colonial Red	•	✓	✓	✓	•	•	•
Dark Bronze	•	✓	✓	✓	✓	✓	•
Dove Gray	•	✓	✓	✓	✓	✓	•
Deep Red	•	✓	•	✓	•	•	•
Everglade Moss	•	✓	•	✓	•	•	•
Forest Green	•	✓	✓	✓	✓	•	•
Hartford Green	•	✓	✓	✓	✓	•	•
Hemlock Green	•	✓	•	✓	•	•	•
Mansard Brown	•	✓	✓	✓	✓	•	•
Medium Bronze	•	✓	✓	✓	✓	✓	•
Mill Finish (Aluminum)*				•*	•*	•*	•*

*Made to order – available in sheets only.

COLORS	STEEL			ALUMINUM			
	22g	24g	26g	.032	.040	.050	.063
Matte Black	•	✓	✓	✓	✓	✓	•
Pacific Blue	•	✓	•	✓	•	•	•
Patina Green	•	✓	•	✓	•	•	•
Royal Blue	•	✓	•	✓	•	•	•
Slate Blue	•	✓	•	✓	•	•	•
Slate Gray	•	✓	✓	✓	✓	✓	•
SunNet Blue	•	✓	•	✓	•	•	•
Sandstone	•	✓	•	✓	✓	✓	•
Sierra Tan	•	✓	•	✓	✓	✓	•
Stone White	•	✓	•	✓	✓	✓	•
Terra Cotta	•	✓	•	✓	•	•	•
Champagne (Metallic)**	•	✓	•	✓	✓	•	•
Copper (Metallic)**	•	✓	•	✓	✓	•	•
Preweathered (Metallic)**	•	✓	•	✓	✓	✓	•

**Mica 2-Coat System

✓ - Standard • - Minimum Quantities Required

Colors shown are close to actual finishes however, due to the limitations of printing processes, slight variations may exist. Please contact Englert for actual color chips before ordering.

The coil and sheet availability shown above is subject to change at anytime without notice. Contact Englert for current offering.

ENGLERT INC.
1200 Amboy Avenue, Perth Amboy, NJ 08861
Phone: 732-826-8614 • Fax: 732-826-8865
info@englertinc.com • englertinc.com

DISTRIBUTED BY:



ARCHITECTURAL SYSTEM FOR COMMERCIAL AND RESIDENTIAL

1-1/2" ARCHITECTURAL SNAP-LOCK PANEL SYSTEM

Englert's Series 1000 system is designed for sloped roofs and other exterior surfaces of light commercial and residential projects. The 1000 profile, with concealed clips and fasteners, requires no mechanical seaming or separate seam cap. The narrow standing seam can be notched and bent to provide a smooth transition from roof to fascia or mansard. Knee caps are applied over the notched seams to create visual continuity.

SYSTEM APPLICATIONS

- Light duty for residential and commercial use
- 3"/12" minimum slope
- Must be installed over a solid deck

SUBSTRATES

- 26 and 24 gauge steel
- .032" aluminum



FINISHES

Englert's Series 1000 system is available in a wide variety of coatings and colors. See the Englert color card for our full range of standard colors and paint system specifications.

Englert can match the color of virtually any material – including brick, wood and fabric – with short lead times as needed. Custom colors are available in quantities as low as 5,000 lbs. on steel or aluminum.

SYSTEM WARRANTIES

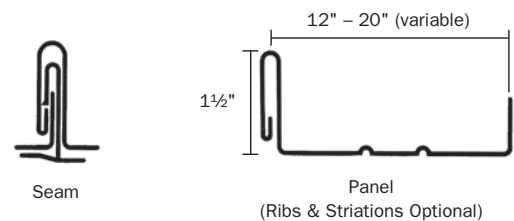
- Galvalume Plus® – 25-year steel warranty on acrylic coated Galvalume®
- PermaColor 2000 – 30-year steel or aluminum warranty on Kynar 500®/Hylar 5000® coating
- PermaMetallic 2000 – 20-year steel or aluminum warranty on Kynar 500®/Hylar 5000® coating
- Siliconized Modified Polyester – 15-year steel or aluminum coating warranty

RATINGS AND CERTIFICATIONS

- UL-90 rated over 5/8" plywood at 20" wide with clips at 18" o.c. (24 ga. steel)
- ASTM-E-84 Class A fire rating on coating and substrate
- Metro-Dade County wind driven rain tested at 70 mph



Series 1000 1-1/2" Snap-Lock



Distributed by:

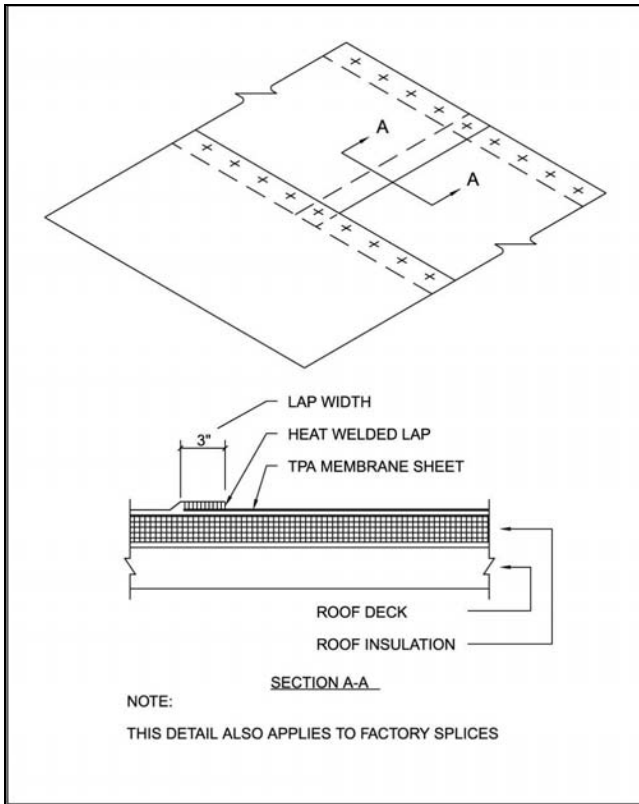
Kynar 500® is a registered trademark of Atochem. N.A.
Hylar 5000® is a registered trademark of Ausimont USA
Galvalume® and Galvalume Plus® are registered trademarks of BIEC International, Inc.

Copyright ©2011 Englert Inc. All rights reserved.

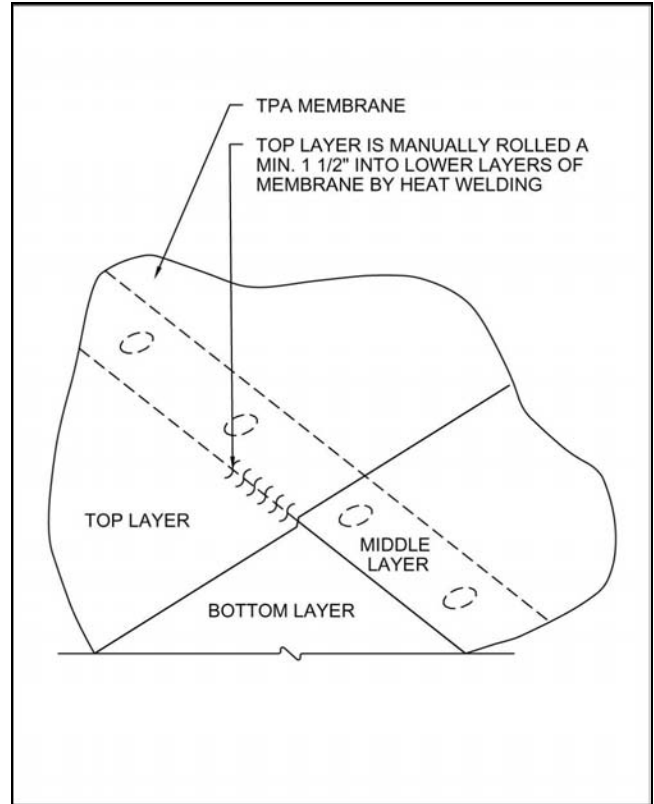
90350A

Single Ply

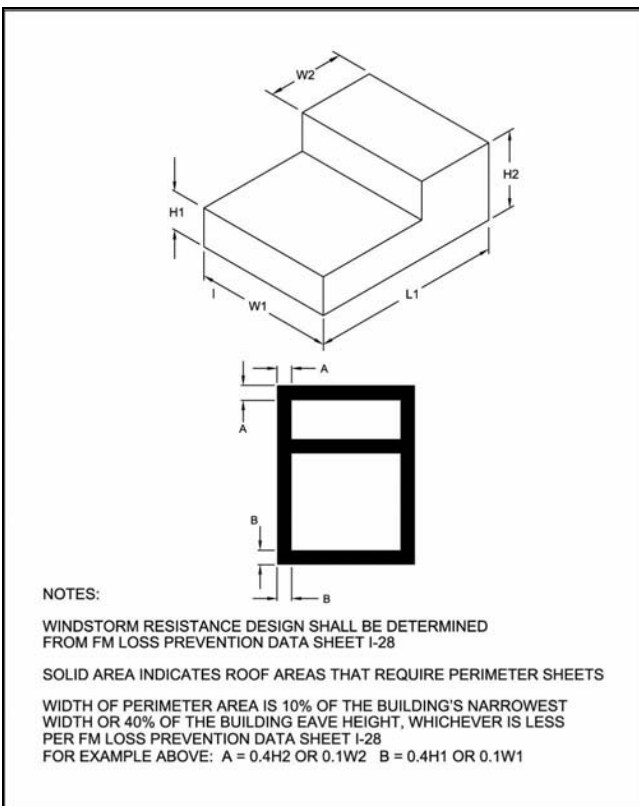
TPA-104 End Lap Detail



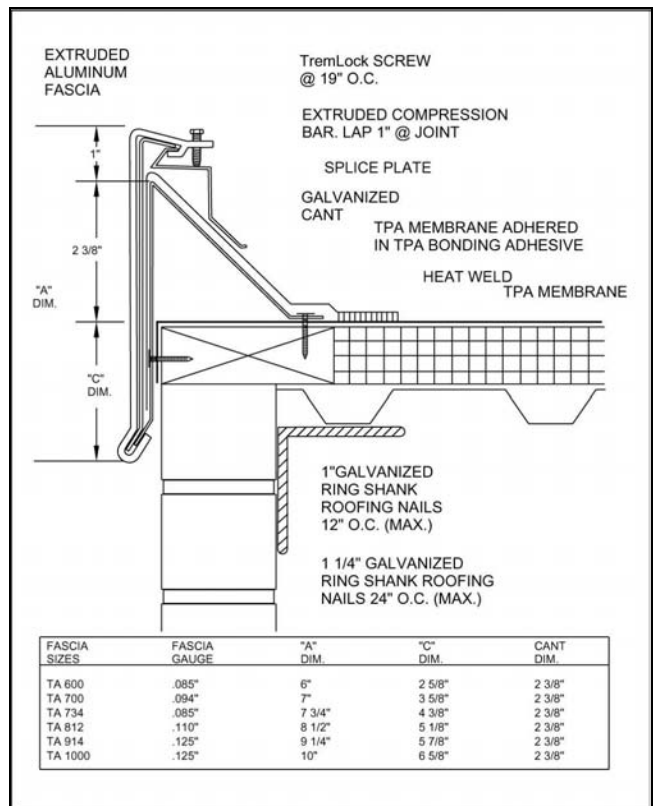
TPA-105 T-Joint Detail



TPA-108 Roof Perimeter Flashing Detail

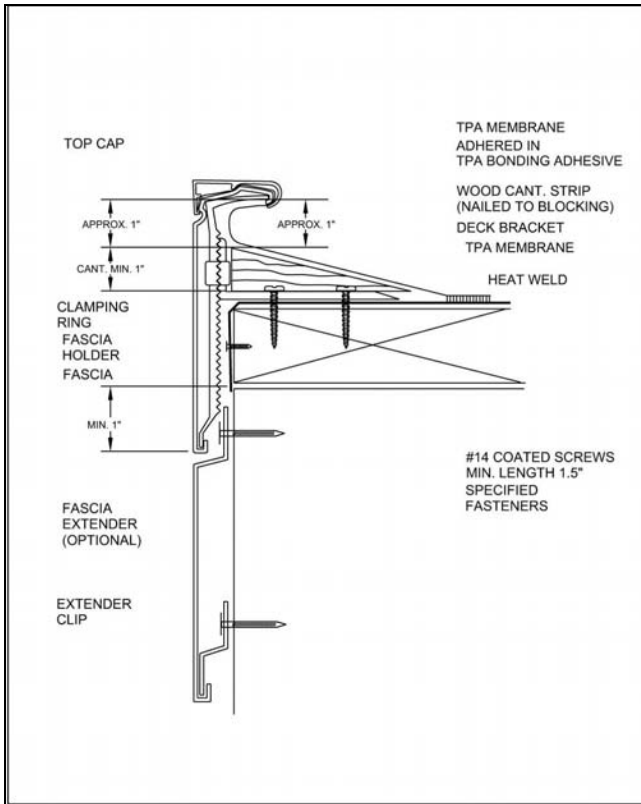


TPA-206 TremLock Fascia Edge Detail

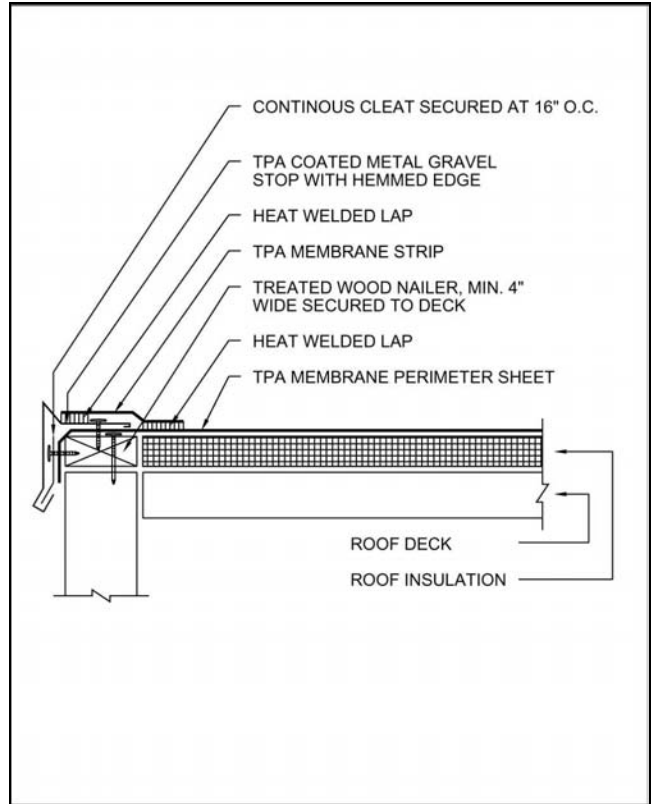


Single Ply

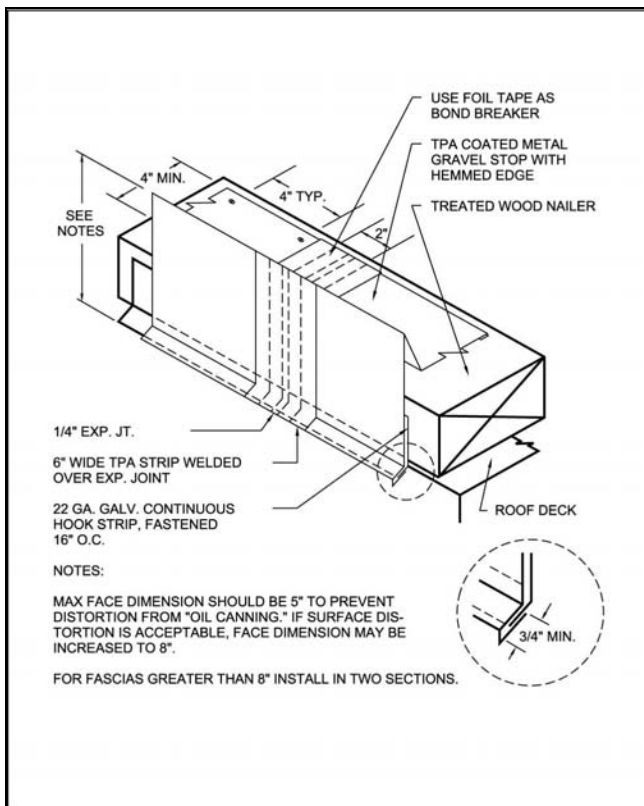
TPA-207 TremLine Edge Detail with Extender



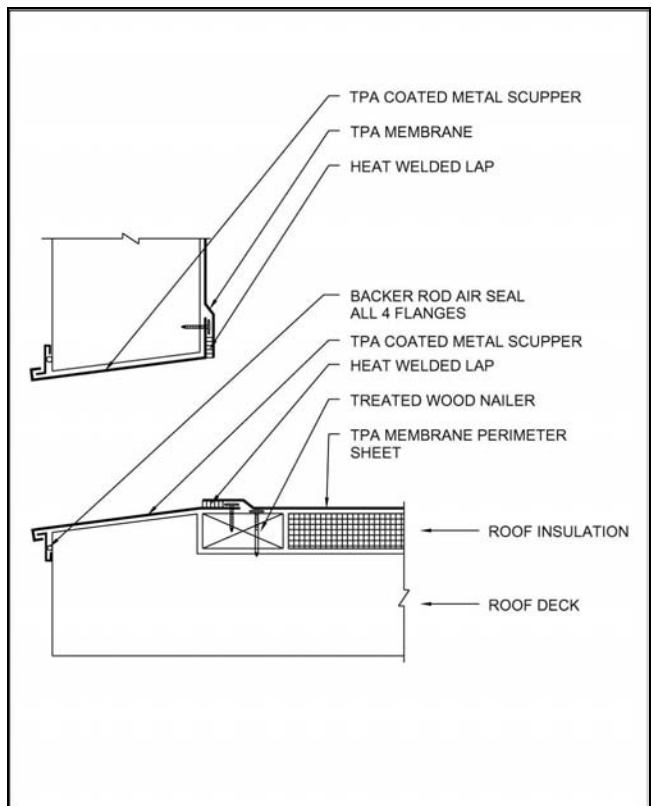
TPA-211 Gravel Stop WITH TPA Coated Metal



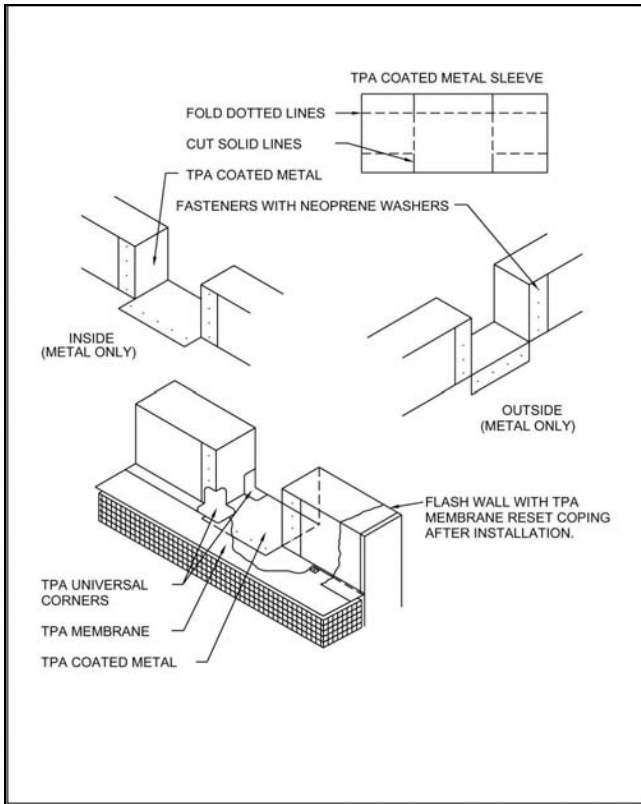
TPA-213 Gravel Stop - TPA Coated Metal - Isometric



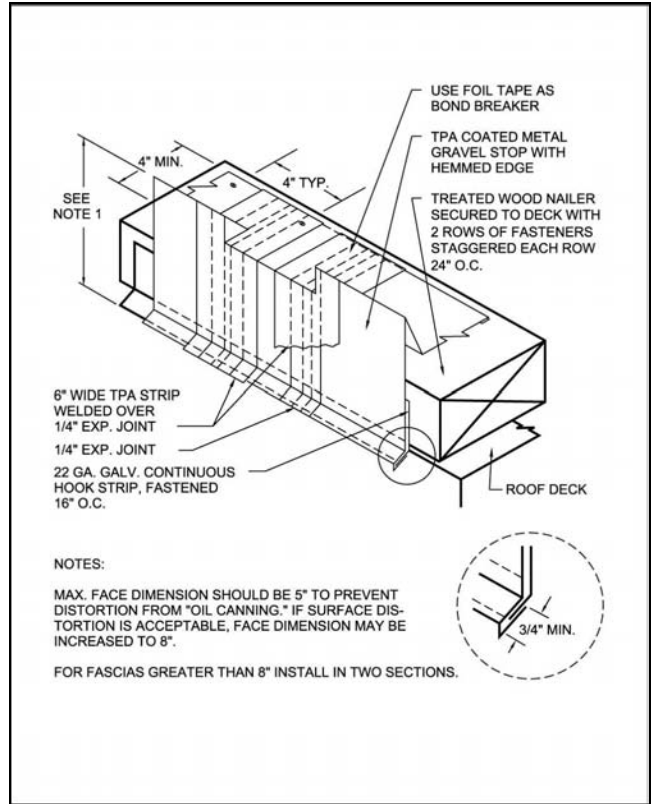
TPA-220 Through Wall Scupper Detail



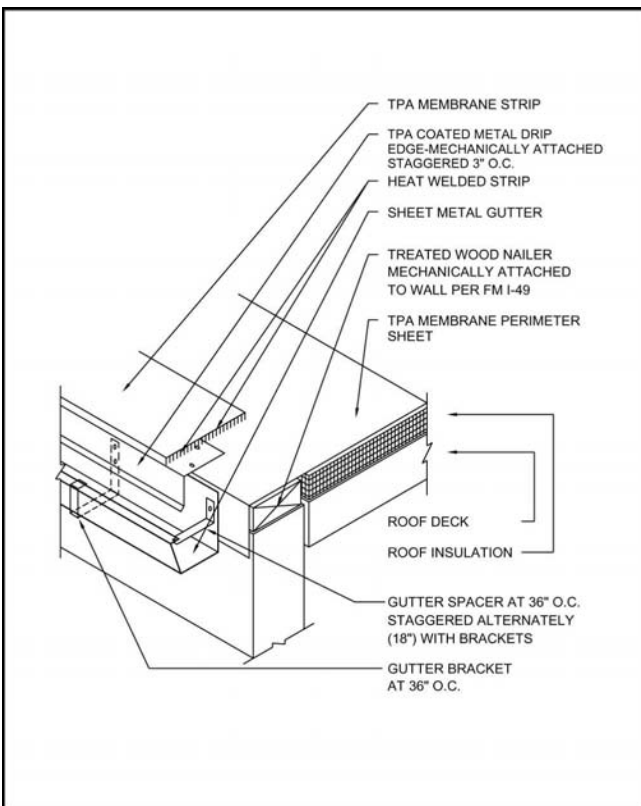
TPA-221 Through Wall Scupper - Isometric



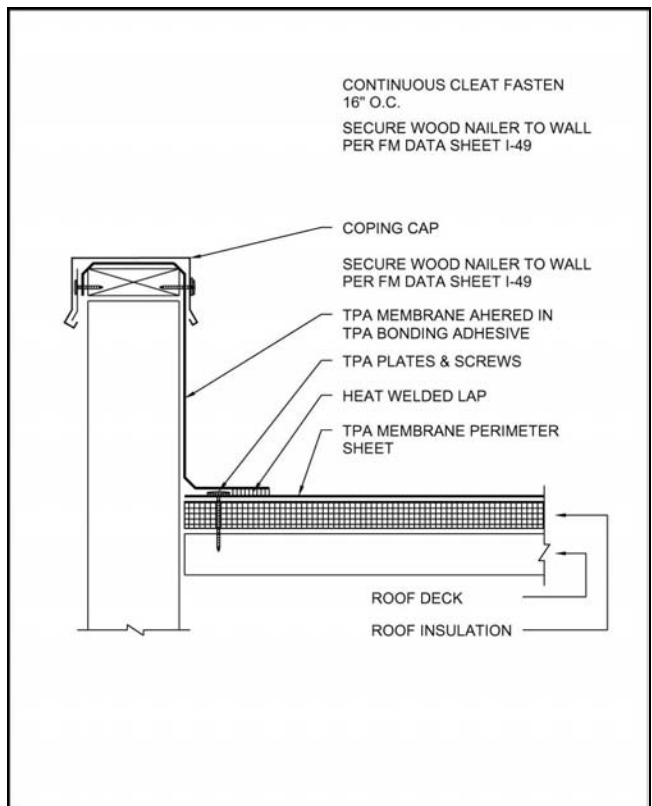
TPA-222 Gravel Stop - Scupper Detail



TPA-232 Gutter Detail

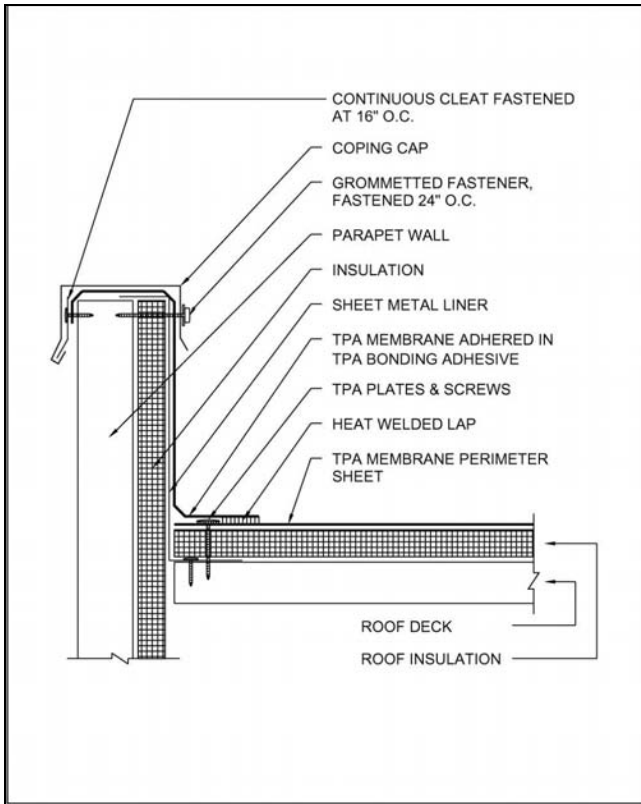


TPA-301 Parapet Wall Flashing Detail

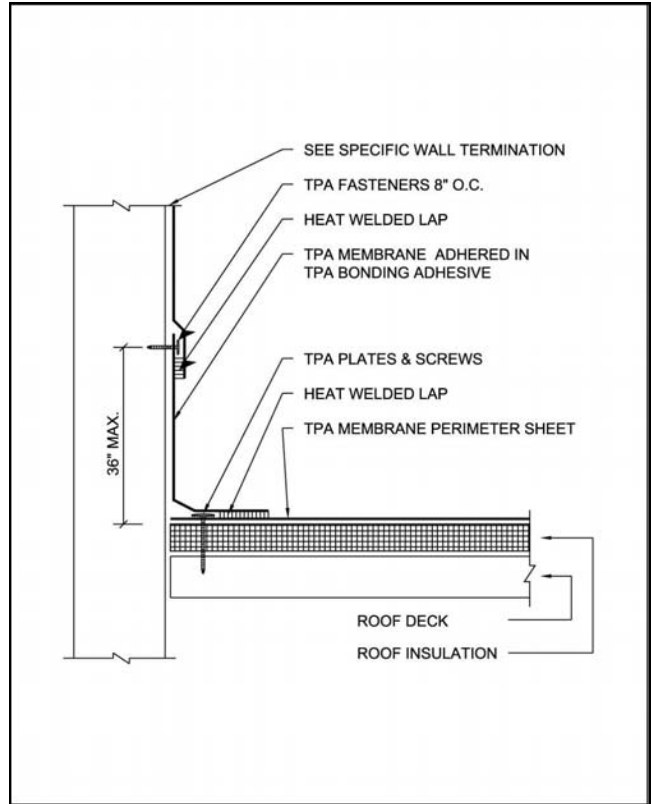


Single Ply

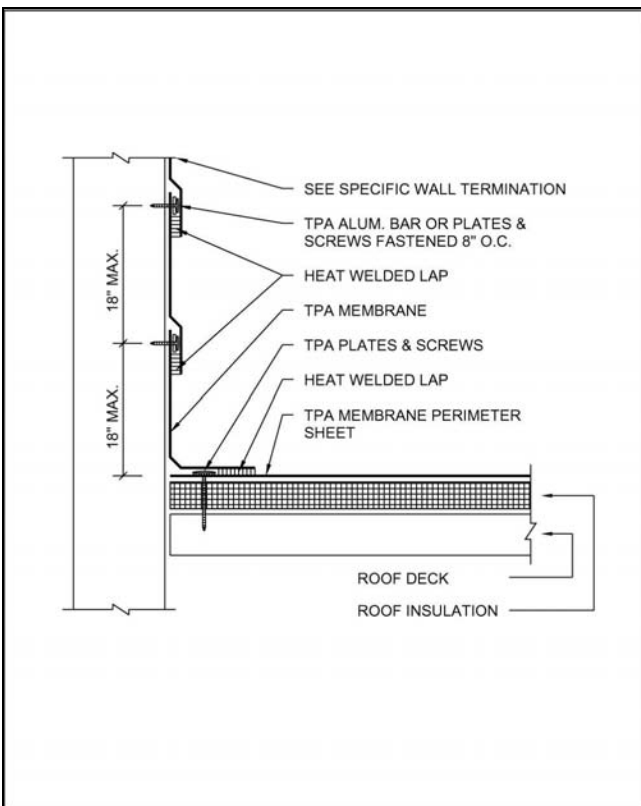
TPA-303 Insulated Parapet Wall Flashing Detail



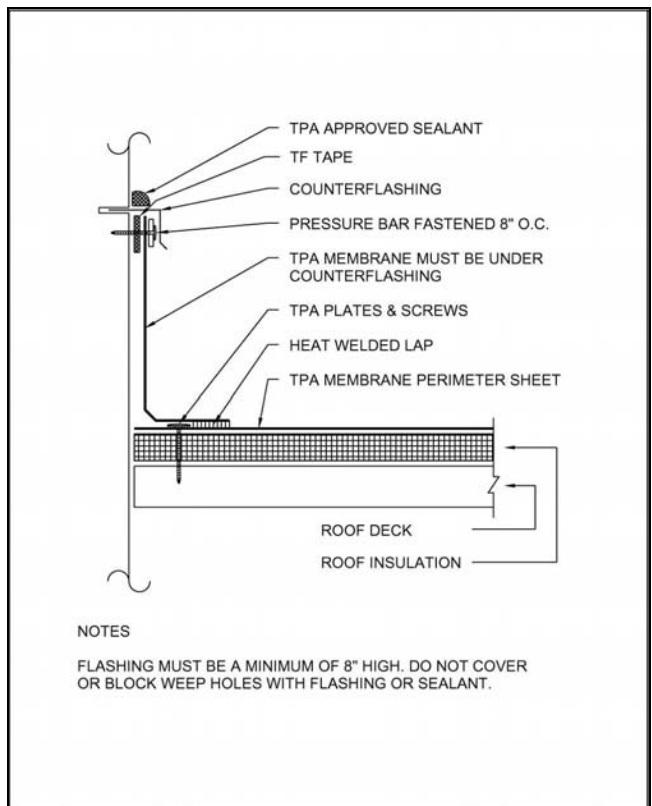
TPA-304 High Parapet Wall Flashing Detail



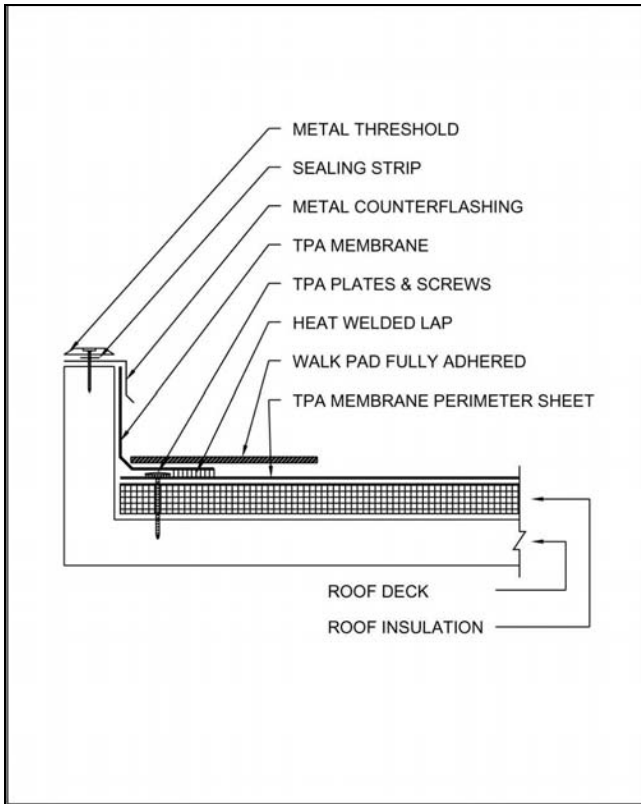
TPA-305 Parapet Wall Flashing Detail



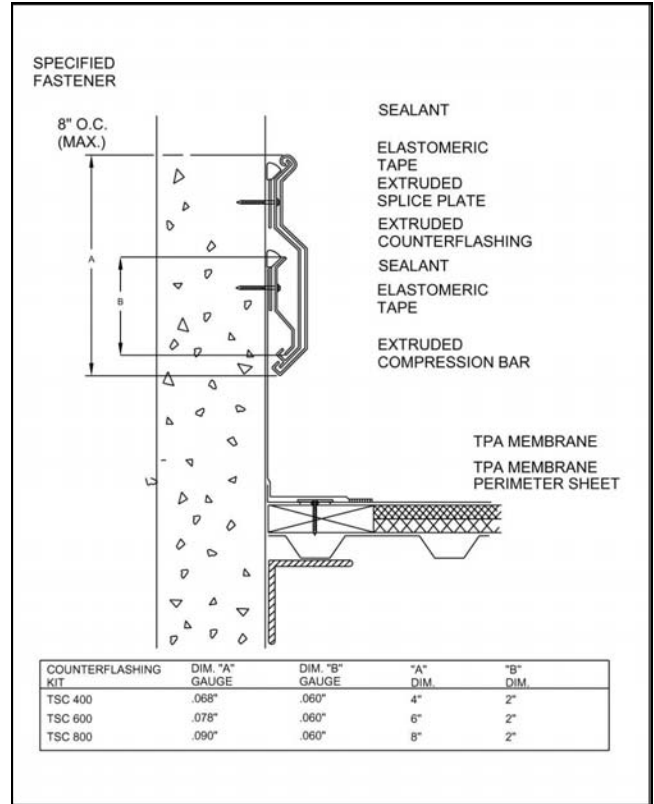
TPA-310 Wall Counterflashing Detail



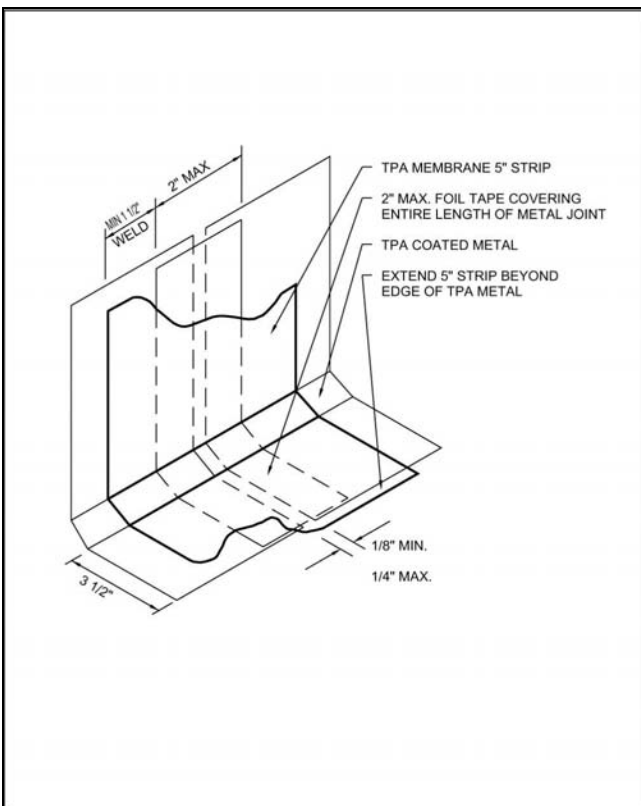
TPA-321 Door Threshold Flashing Detail



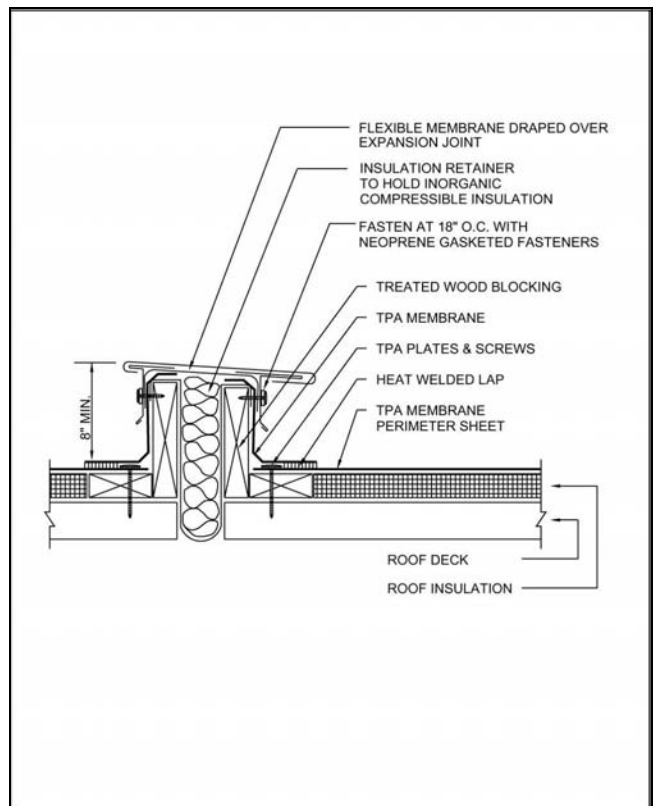
TPA-325 TremLock Surface Mounted Counterflashing



TPA-340 Base Flashing Butt Joint TPA Coated Metal

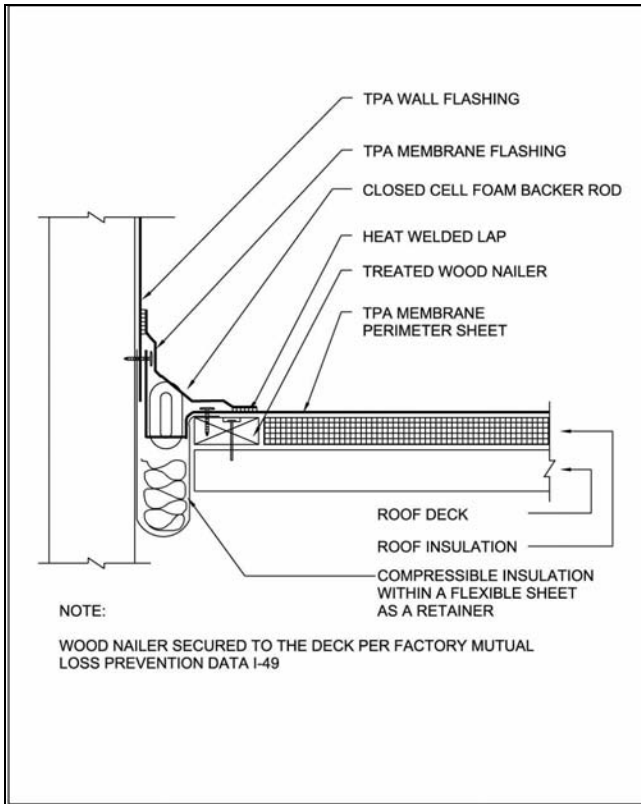


TPA-402 Expansion Joint at Curb Detail

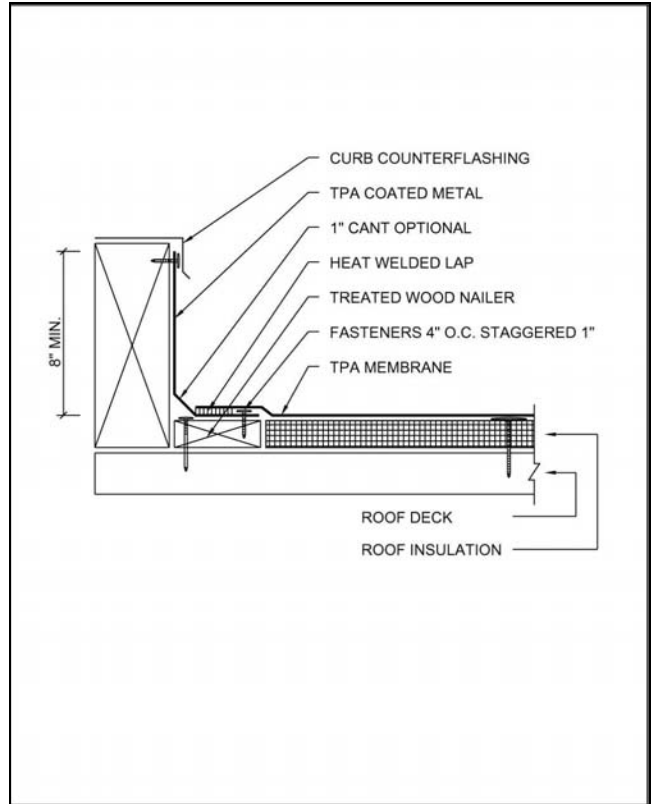


Single Ply

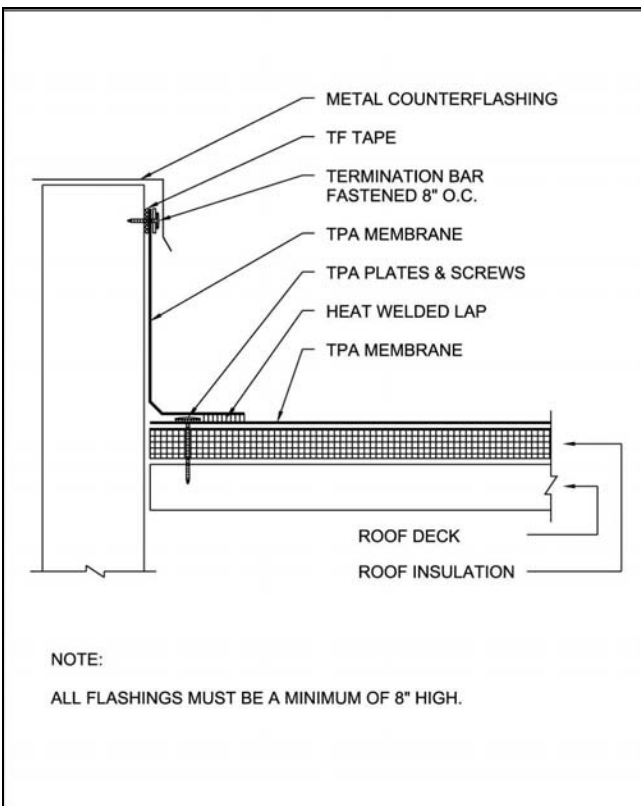
TPA-403 Expansion Joint Wall Flashing Detail



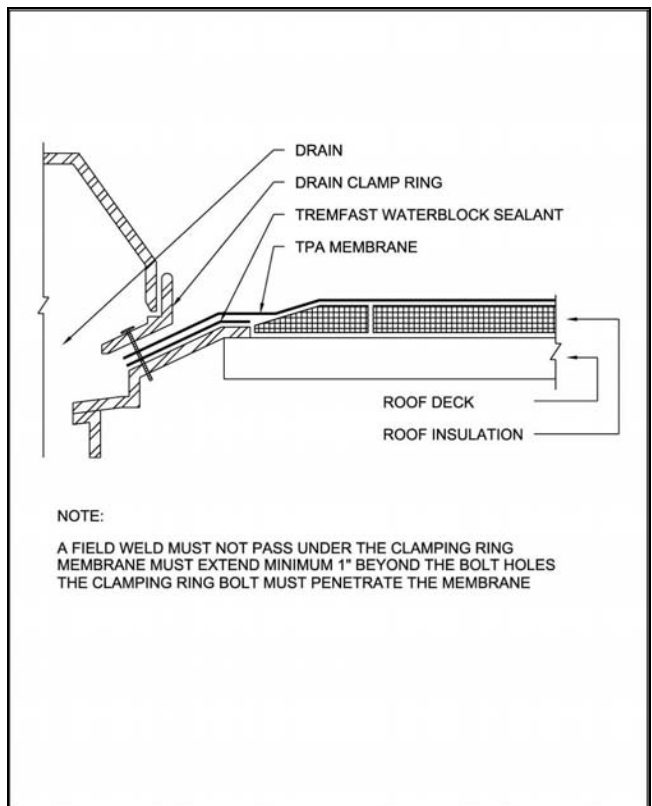
TPA-501 Curb Flashing Detail Using Coated Metal



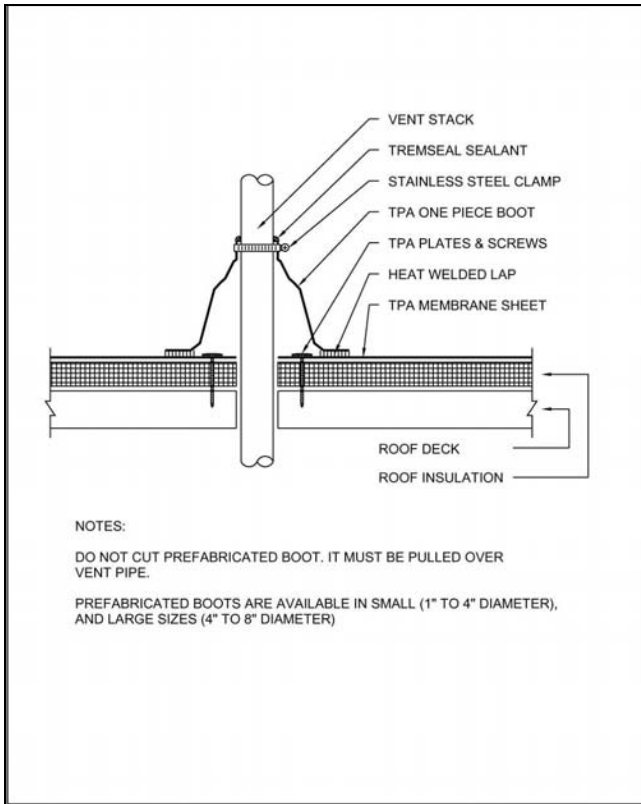
TPA-502 Curb Flashing Detail



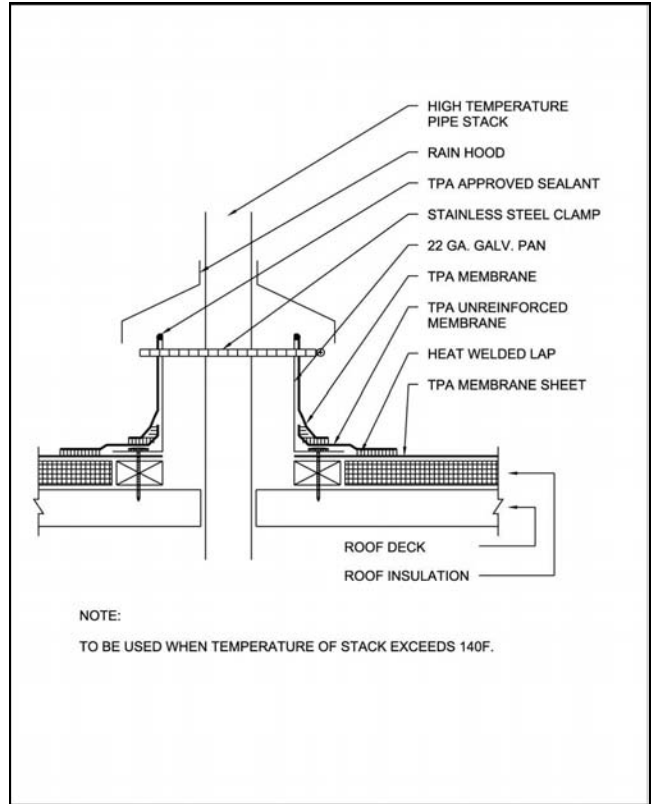
TPA-510 Drain Flashing Detail



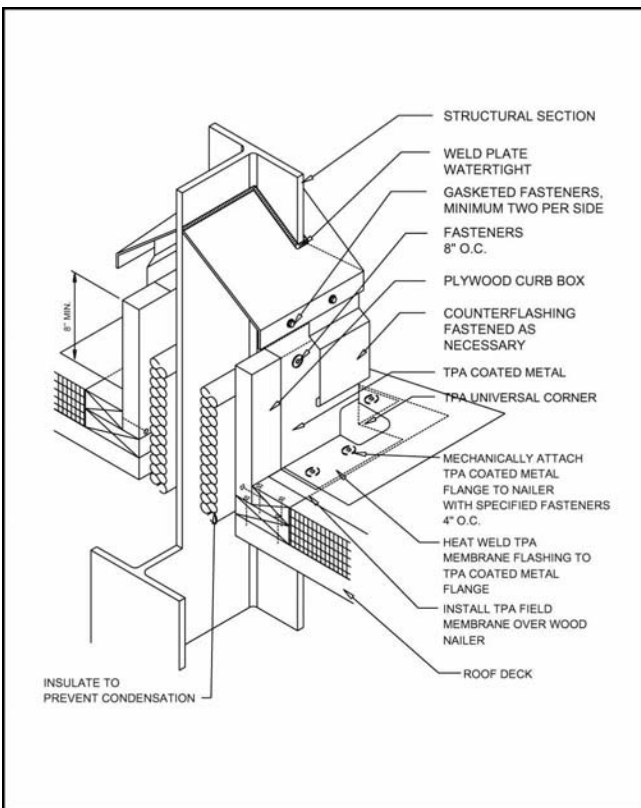
TPA-520 Prefabricated Vent Pipe Flashing Detail



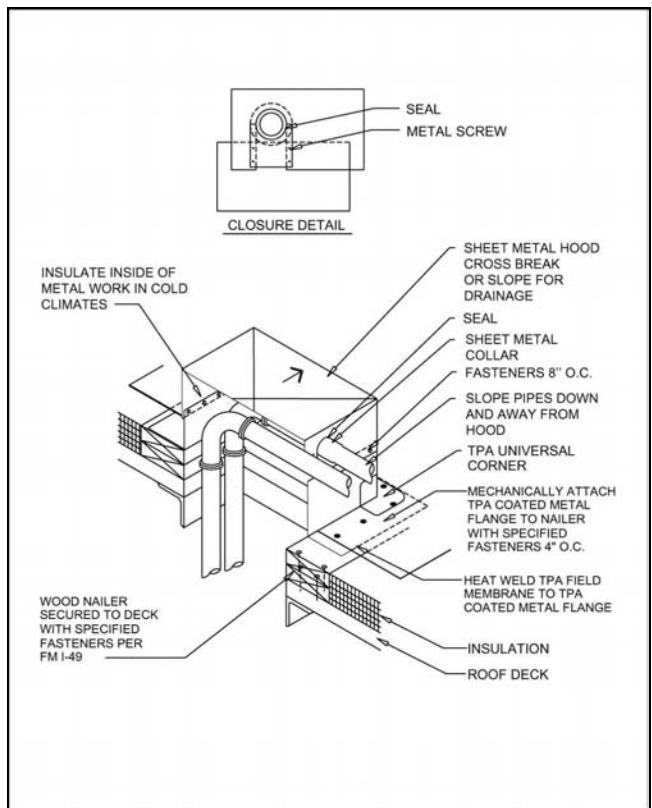
TPA-522 High-Temperature Pipe Flashing Detail



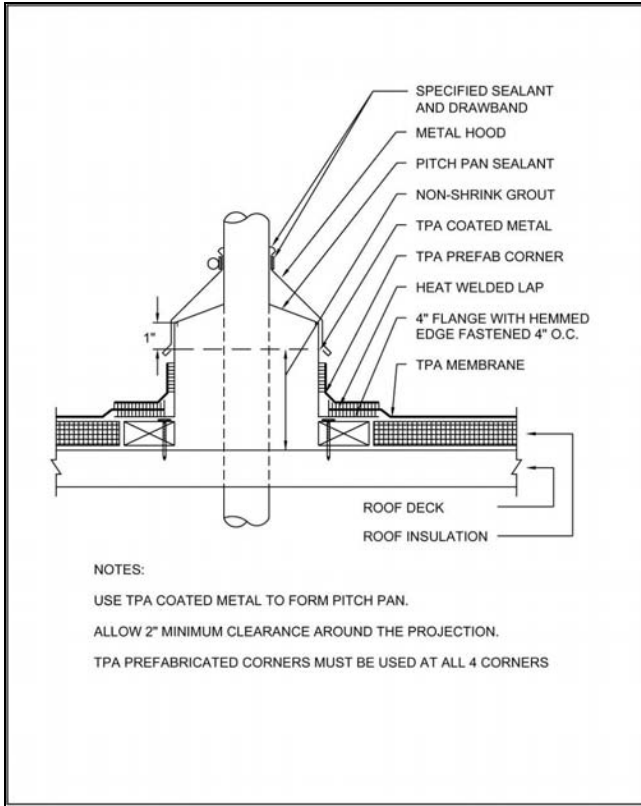
TPA-523 I-Beam Flashing Detail



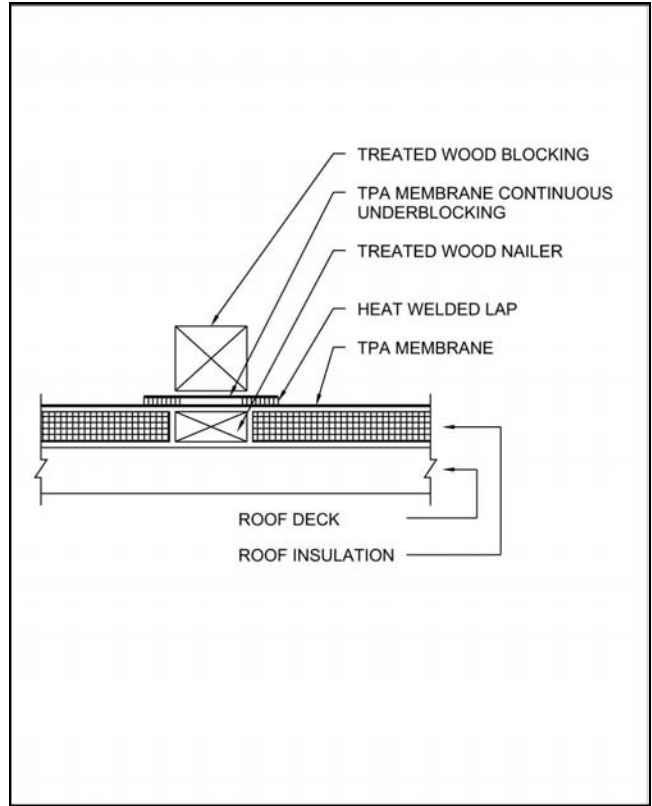
TPA-525 Multiple Pipe Penetration Detail



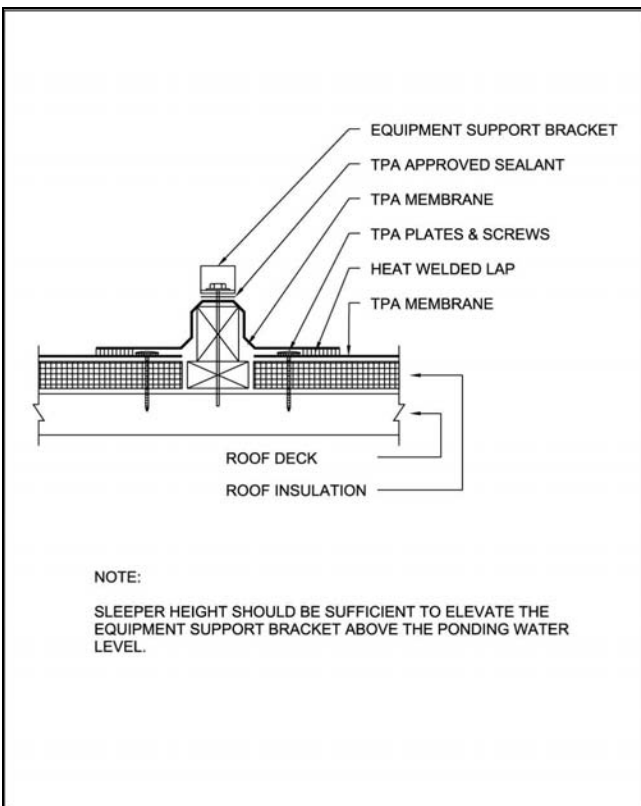
TPA-526 Pitch Pocket Flashing Detail



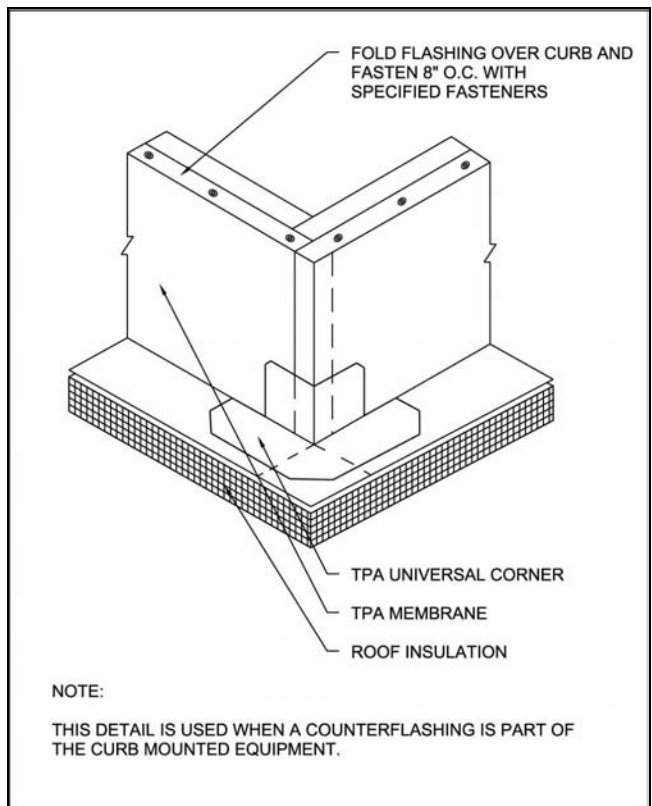
TPA-530 Exposed Sleeper Detail



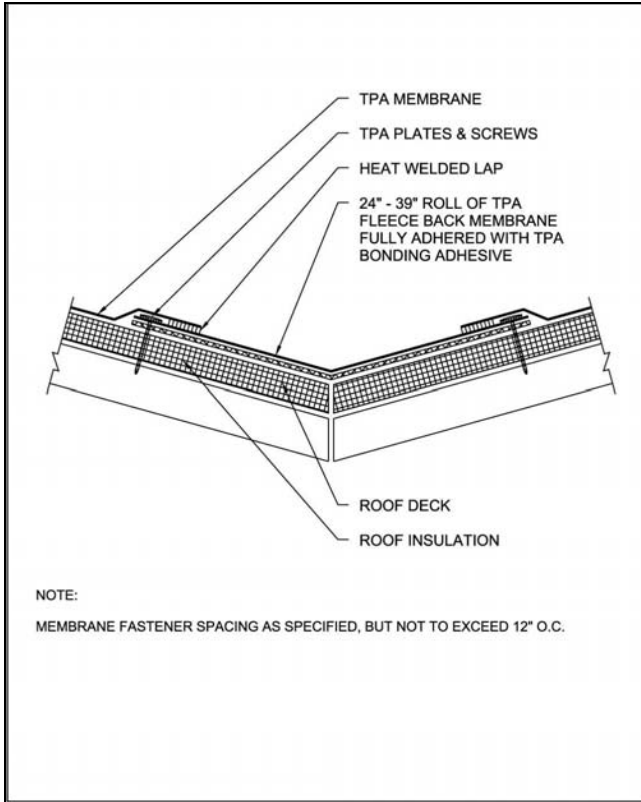
TPA-531 Fixed Equipment Support Detail



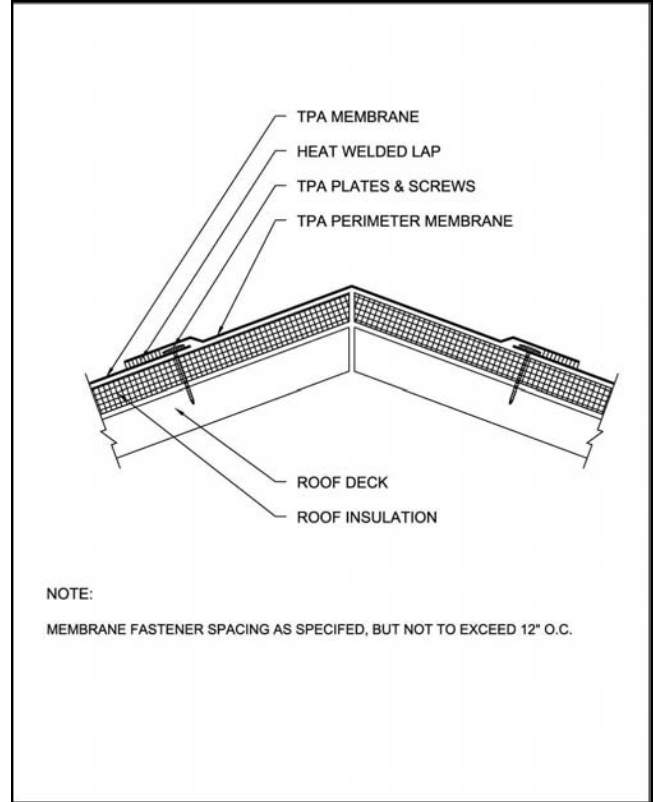
TPA-540 Curb Flashing Using TPA Membrane



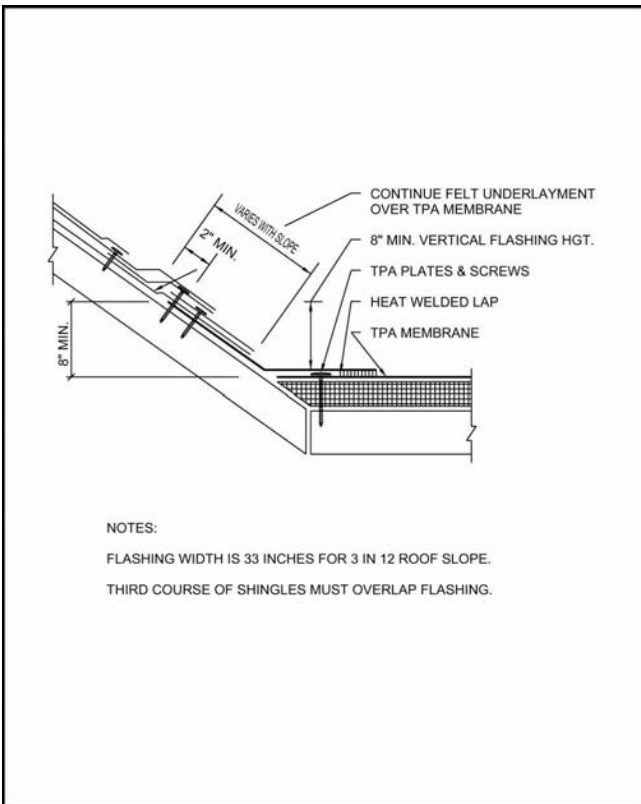
TPA-601 Valley Flashing Detail



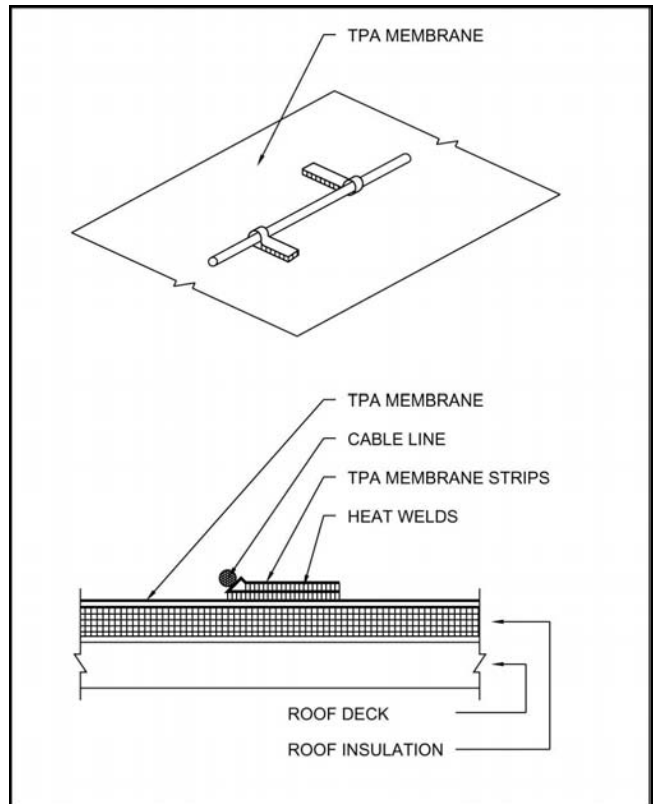
TPA-602 Ridge Flashing Detail



TPA-611 Membrane Termination at Slope Roof

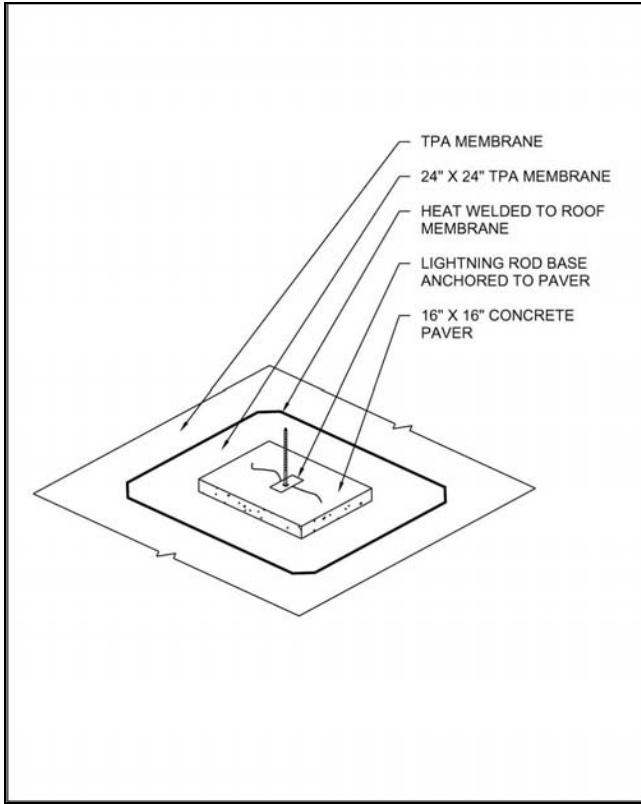


TPA-621 Lightning Cable Support Strap Detail

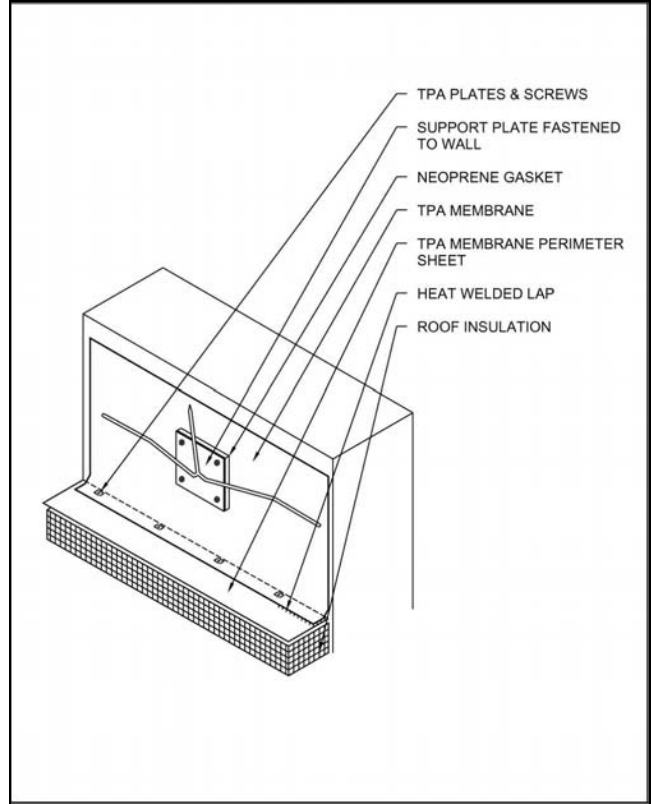


Single Ply

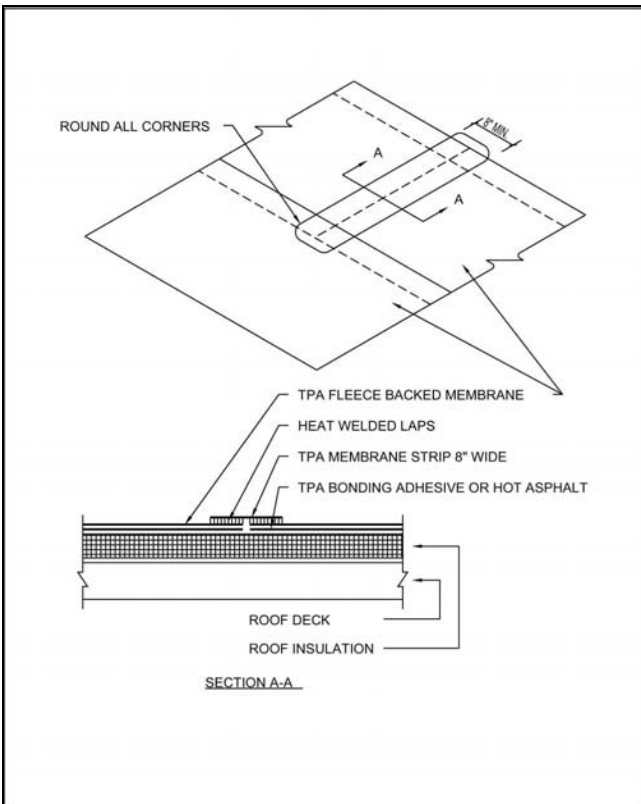
TPA-622 Lightning Rod Base Detail



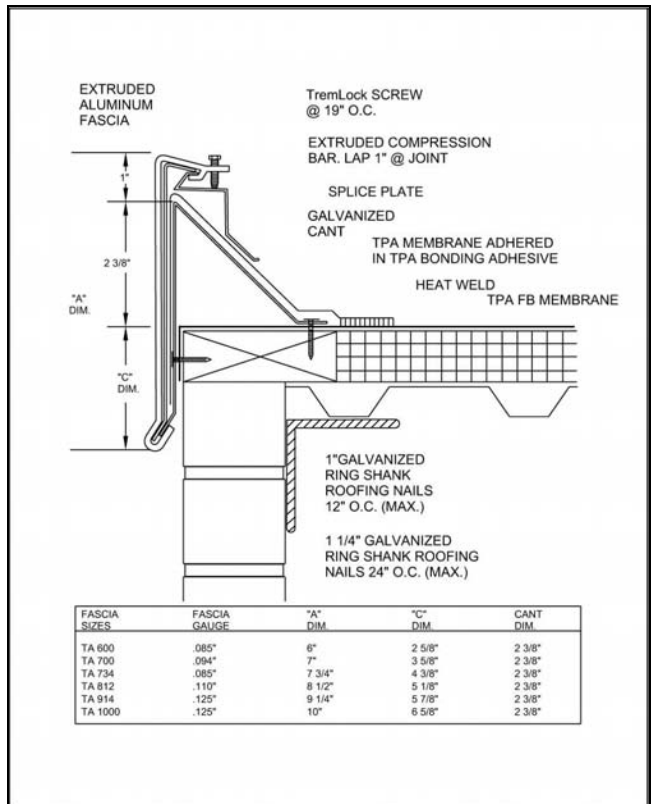
TPA-623 Wall Mounted Lightning Rod Detail



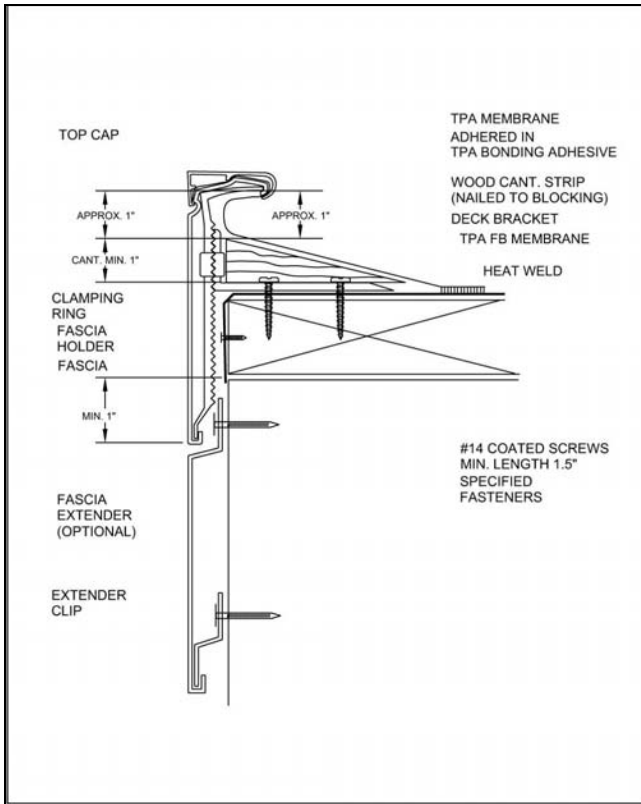
FB-104 End Lap Detail



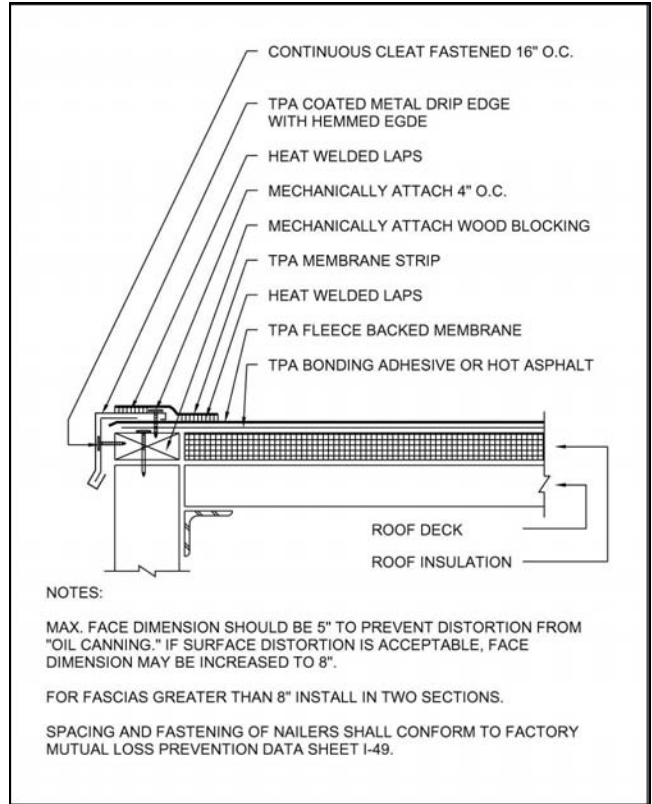
FB-206 TremLock Fascia Edge Detail



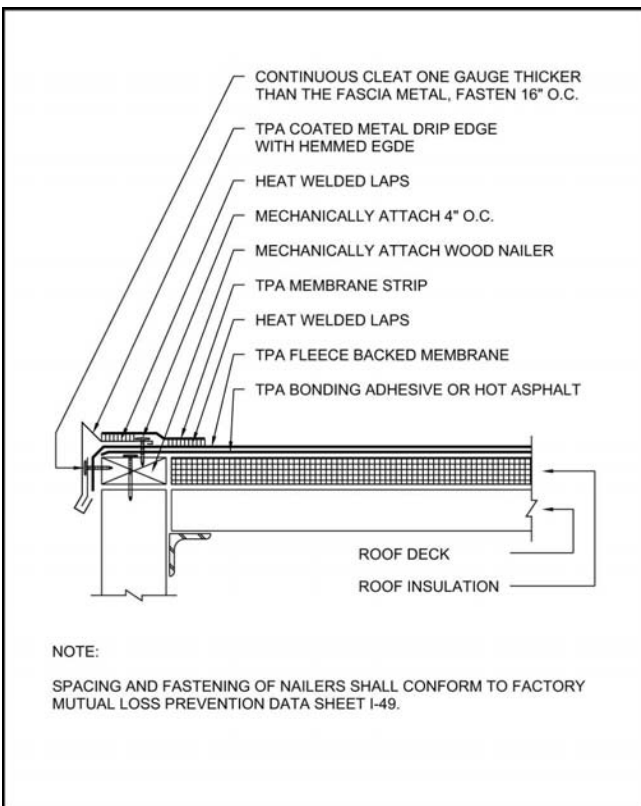
FB-207 TremLine Edge Detail with Extender



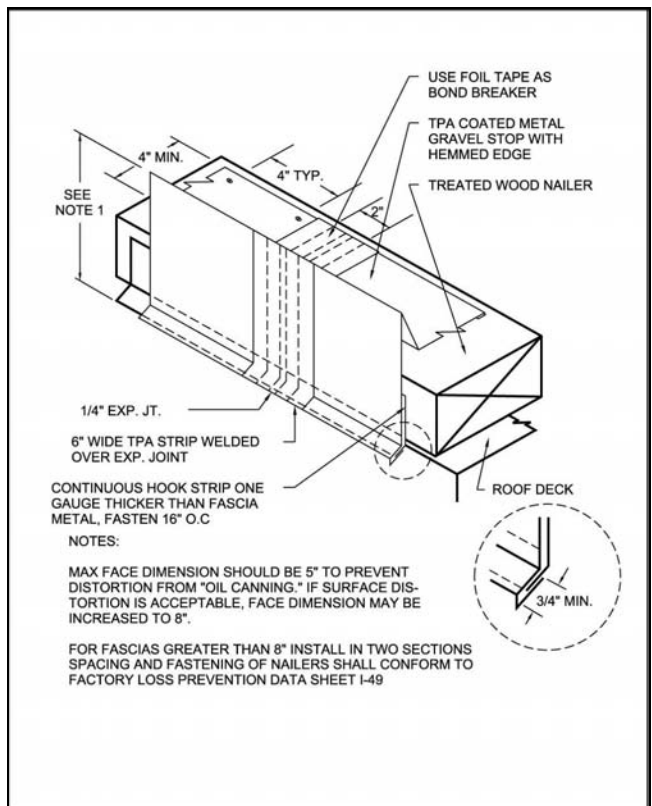
FB-210 TPA Coated Metal Roof Edge Detail



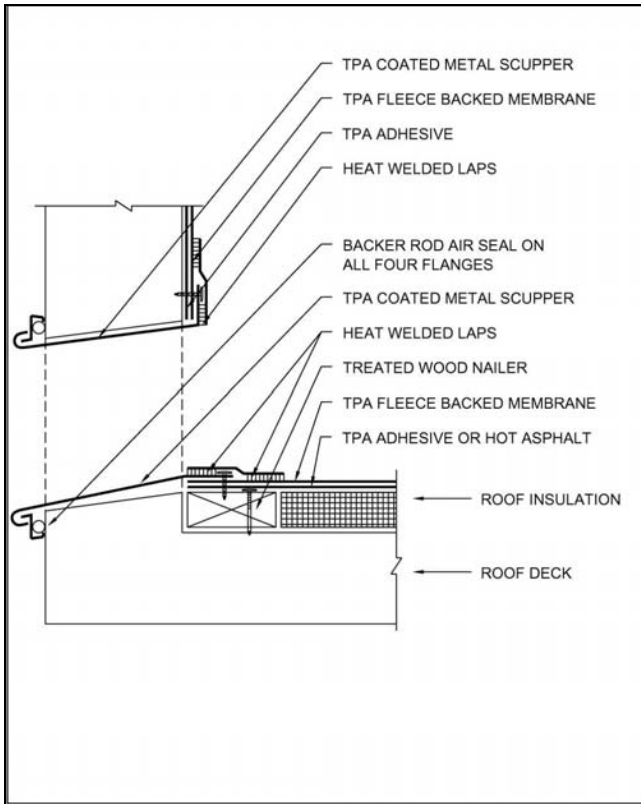
FB-211 TPA Coated Metal Gravel Stop Edge



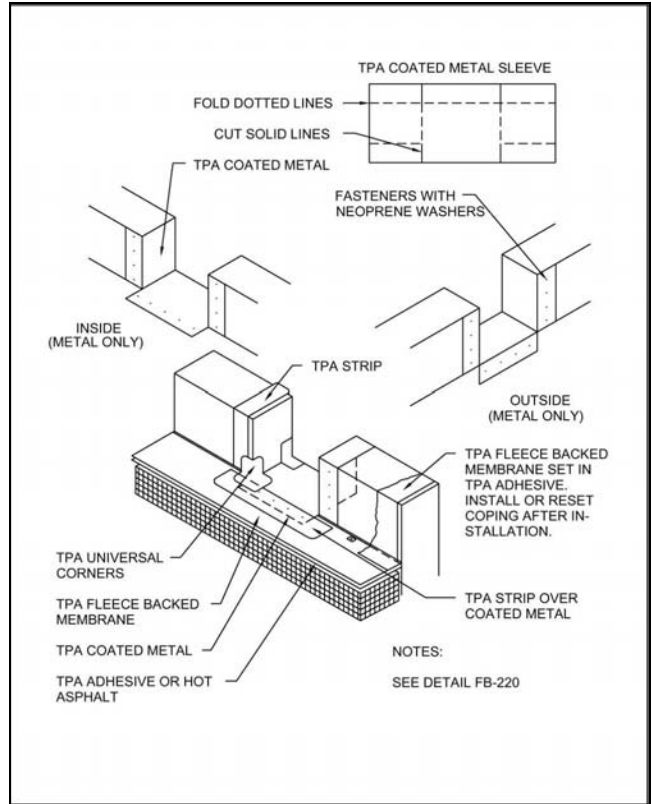
FB-213 Gravel Stop - TPA Coated Metal - Isometric



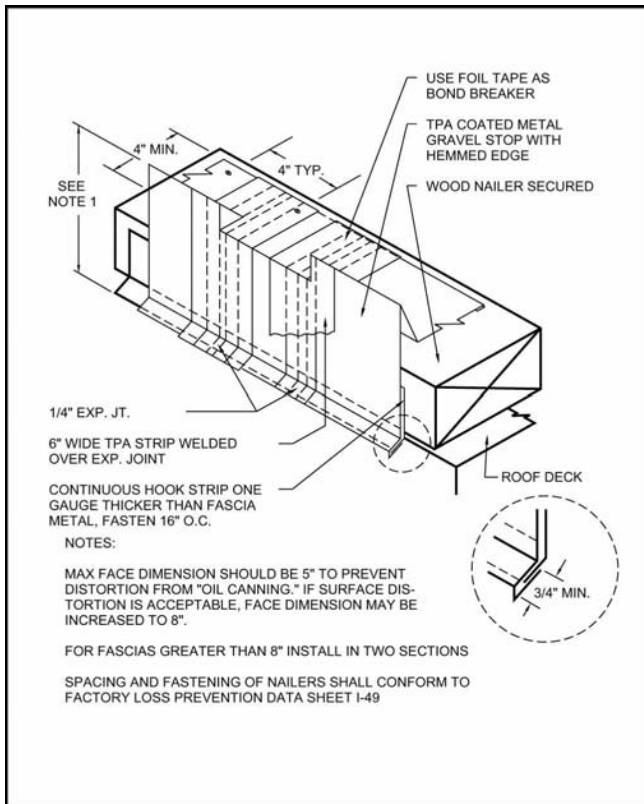
FB-220 Through Wall Scupper Detail



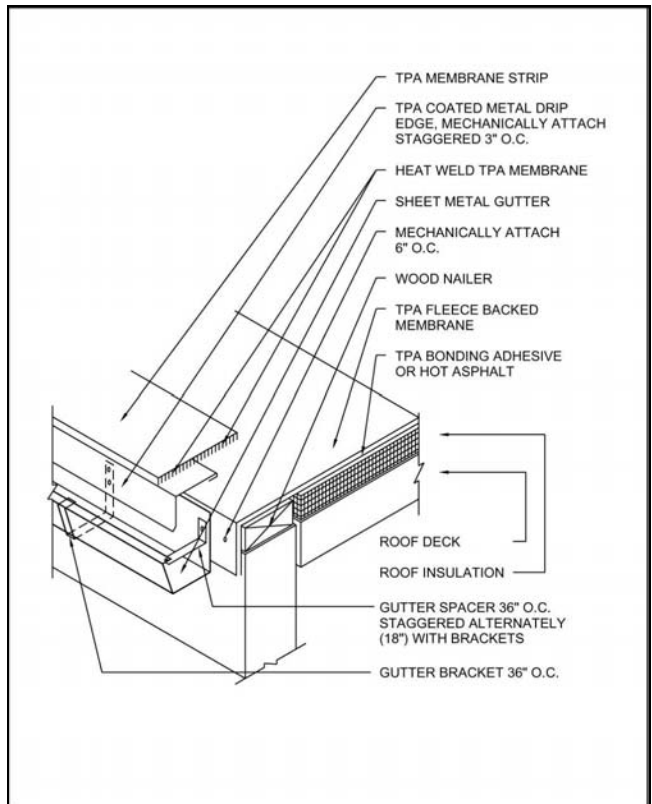
FB-221 Through Wall Scupper - Isometric



FB-222 Gravel Stop - Scupper

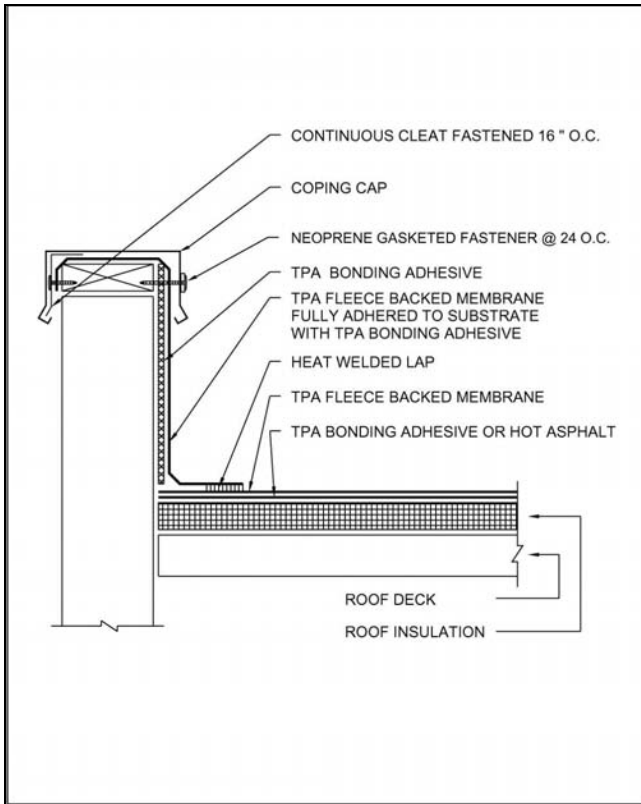


FB-232 Roof Edge with Gutter

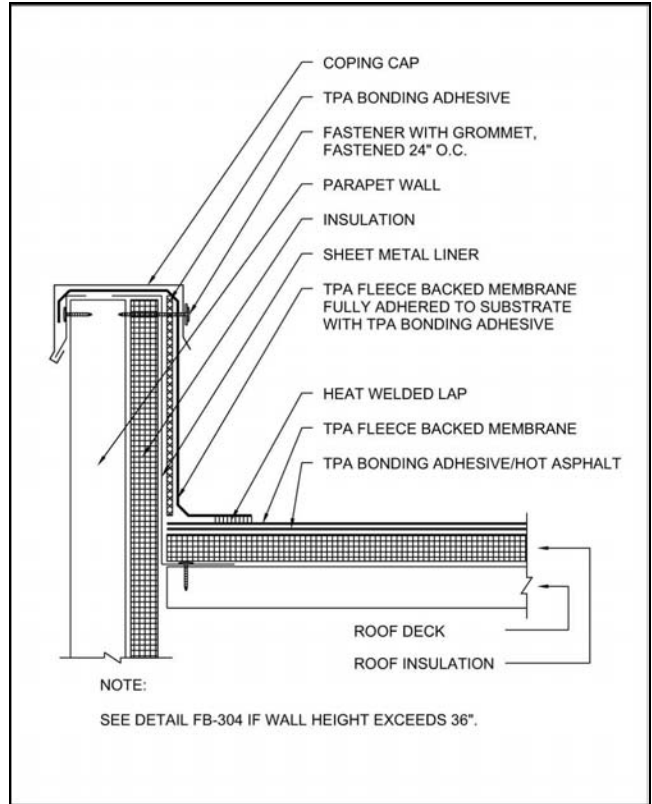


Detailed Drawings
Single Ply

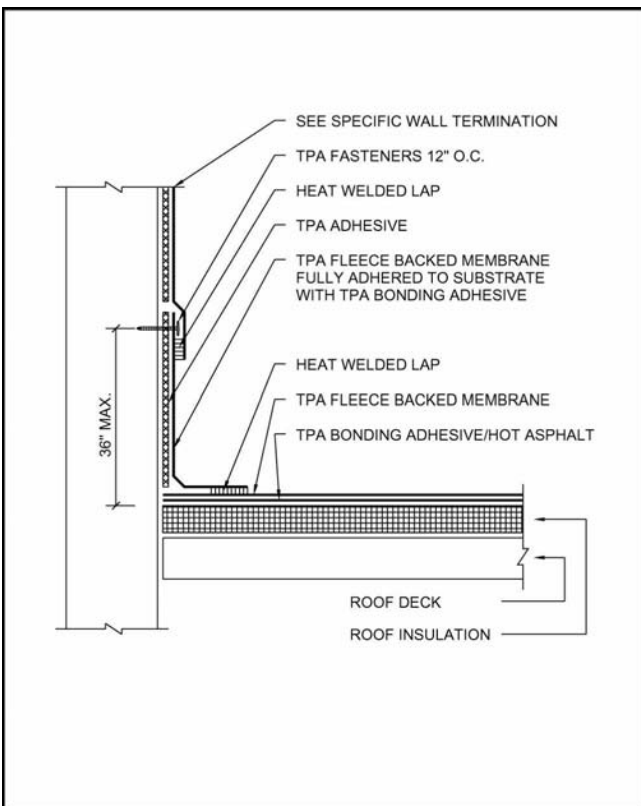
FB-301 Parapet Wall Flashing Detail



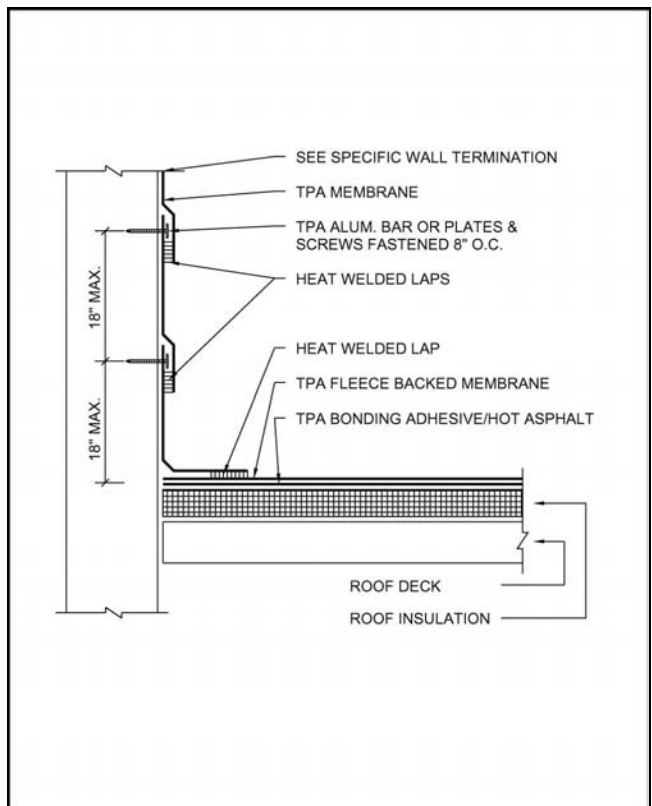
FB-303 Insulated Parapet Wall Flashing Detail



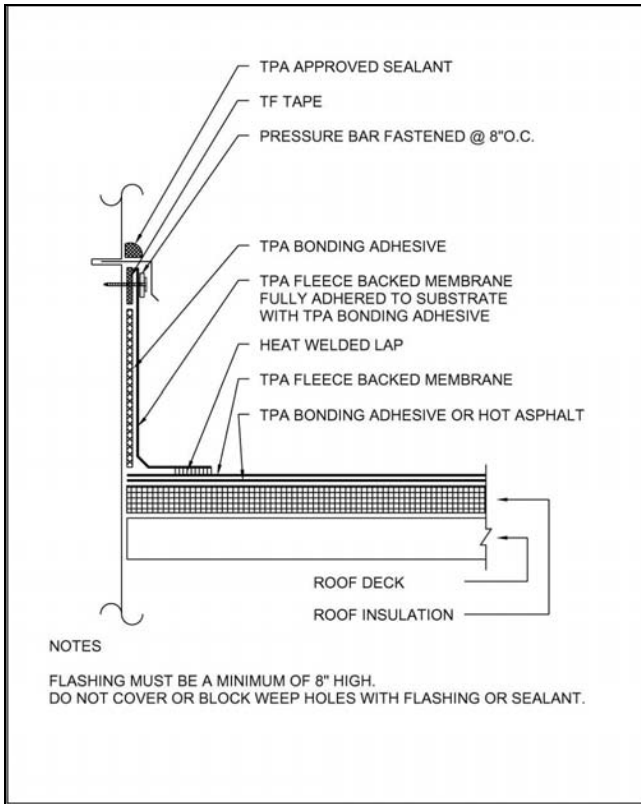
FB-304 High Parapet Wall Flashing Detail



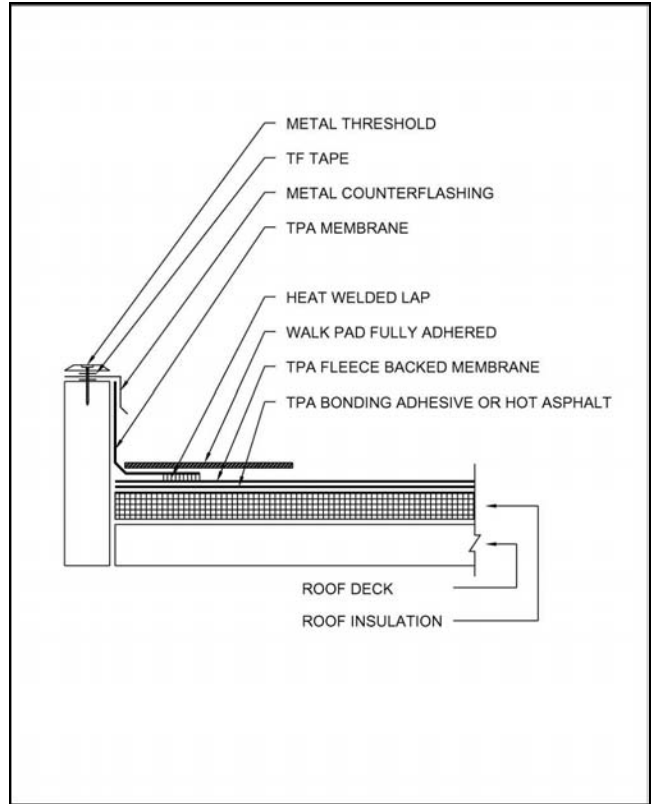
FB-305 Parapet Wall Flashing Detail



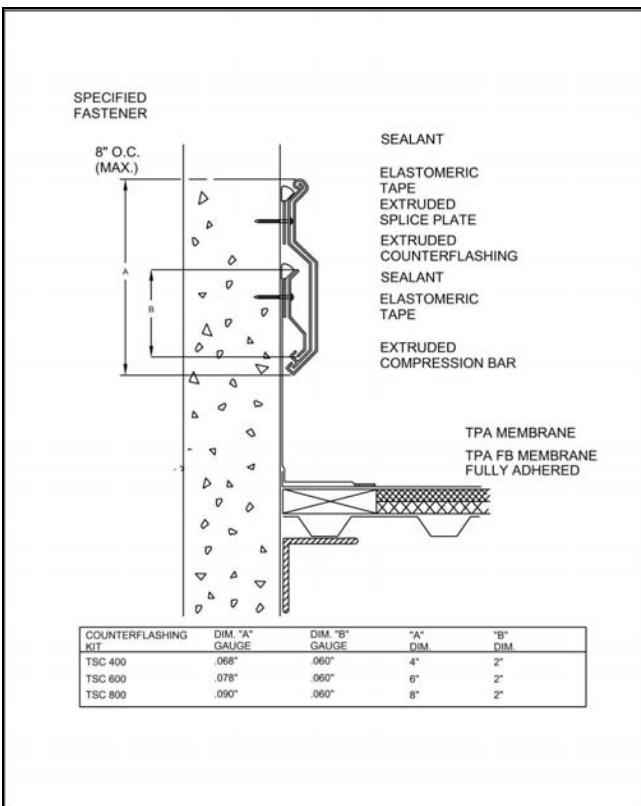
FB-310 Wall Counterflashing Detail



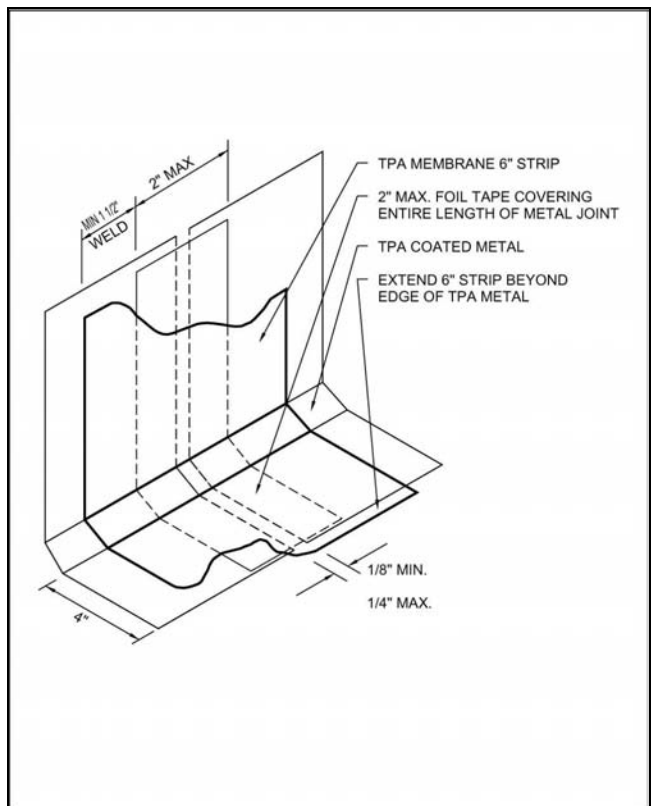
FB-321 Door Threshold Flashing Detail



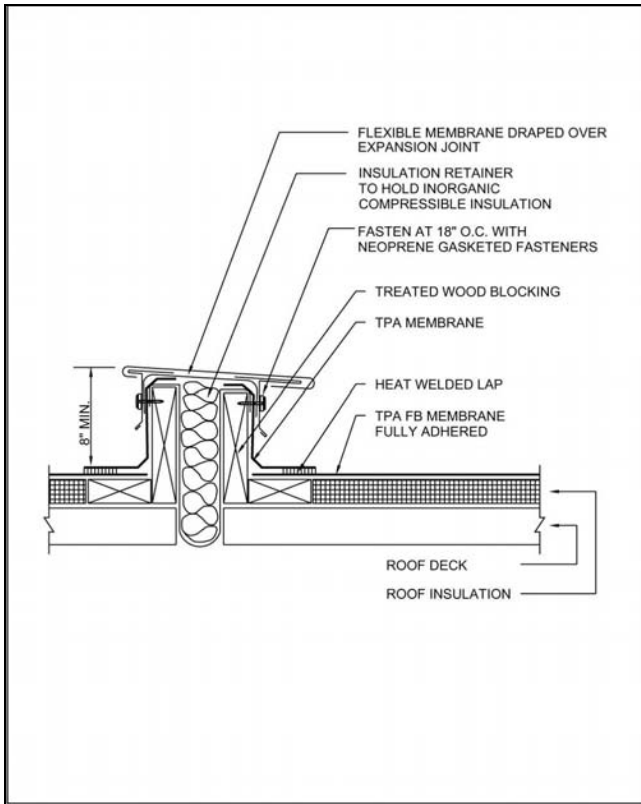
FB-325 TremLock Surface Mounted Counterflashing



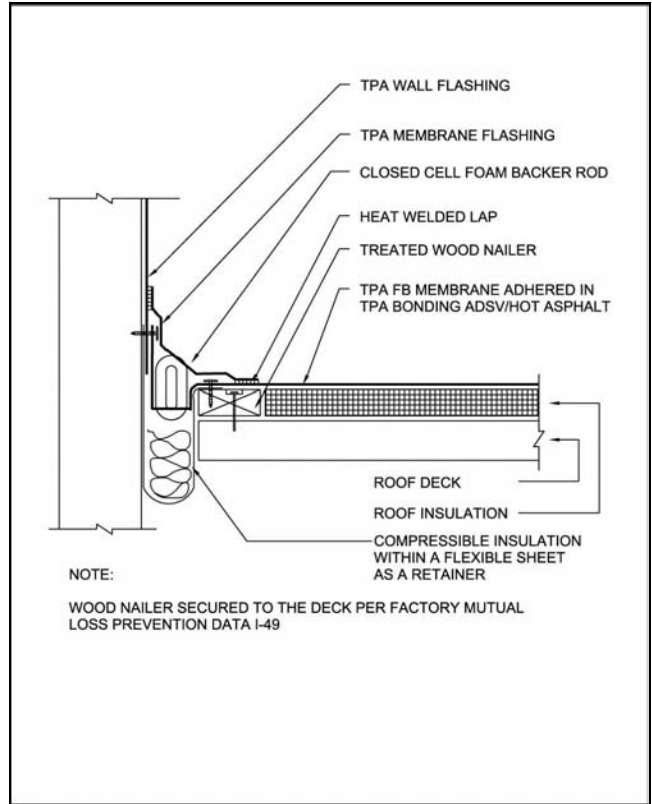
FB-340 Base Flashing Butt Joint TPA Coated Metal



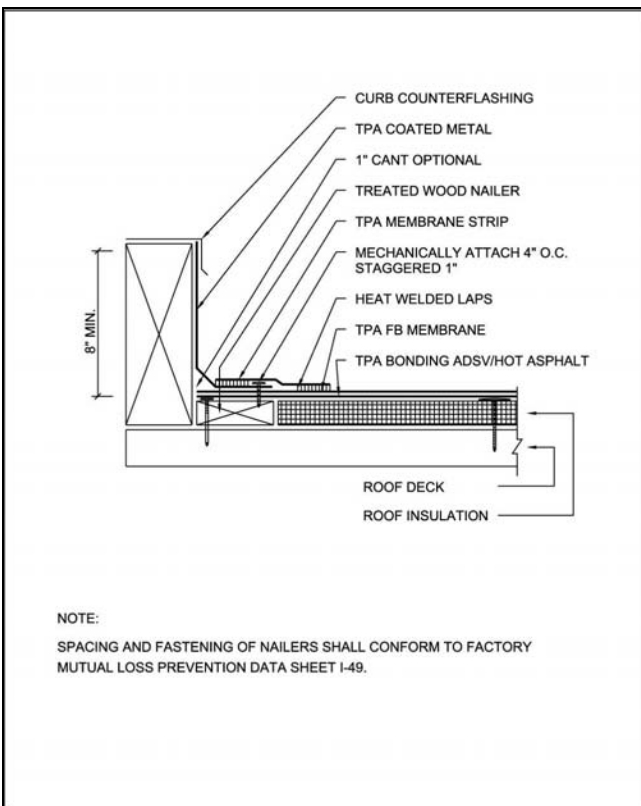
FB-402 Expansion Joint at Curb Detail



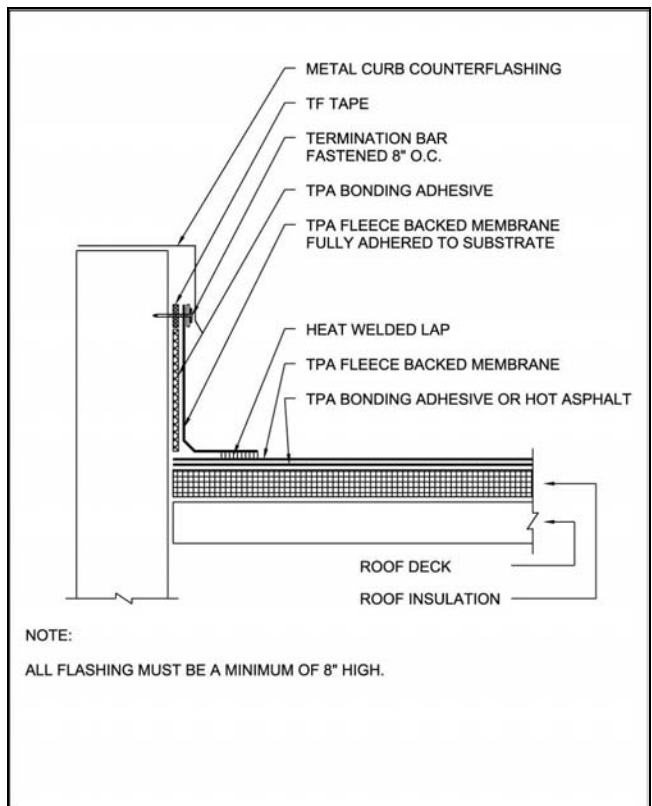
FB-403 Expansion Joint Wall Flashing Detail



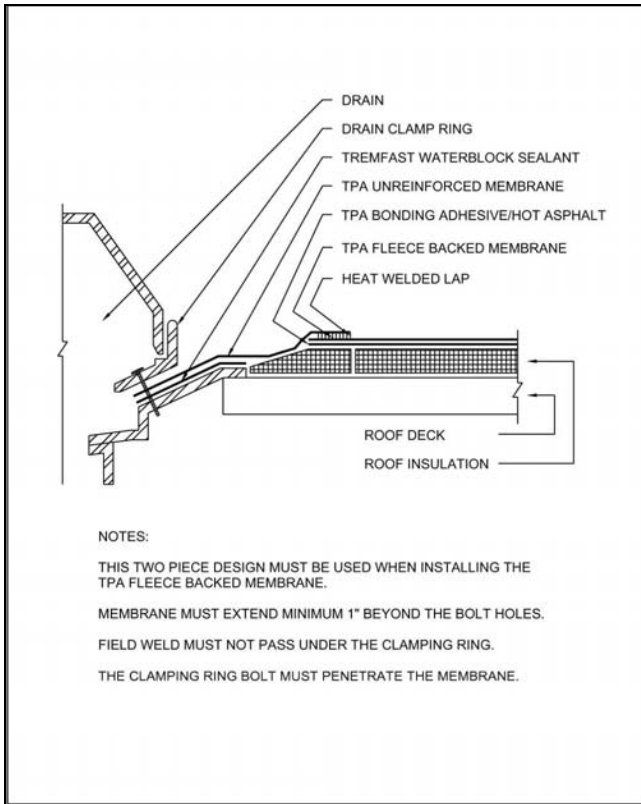
FB-501 Curb Flashing Using TPA Coated Metal



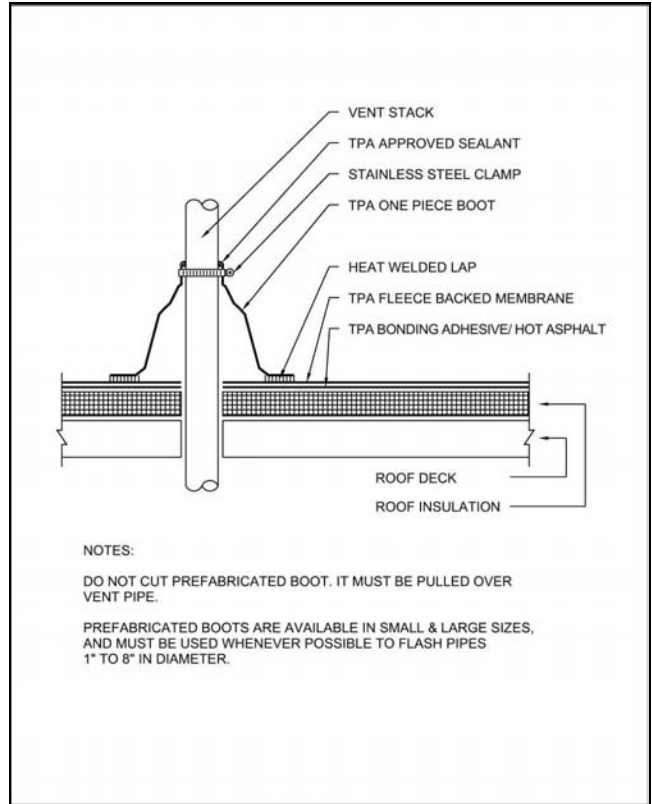
FB-502 Curb Flashing Detail



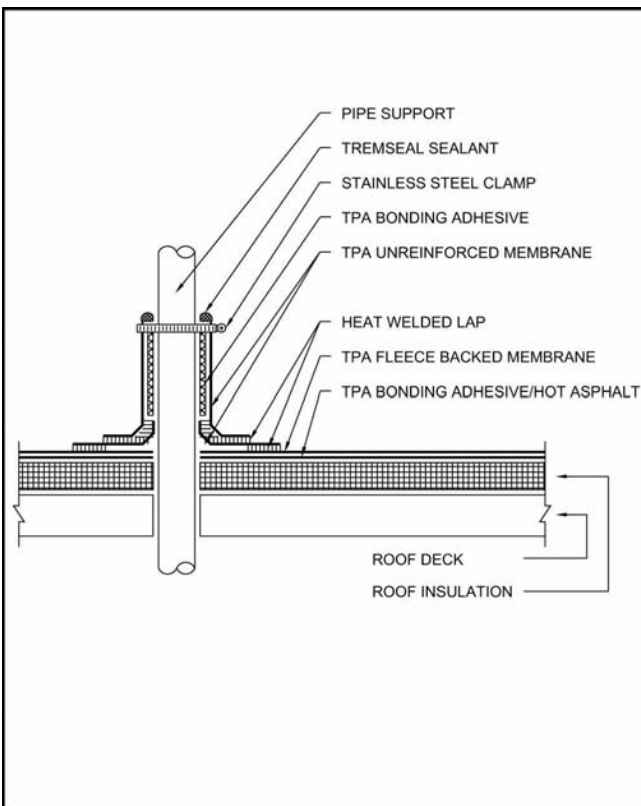
FB-511 Drain Flashing Detail



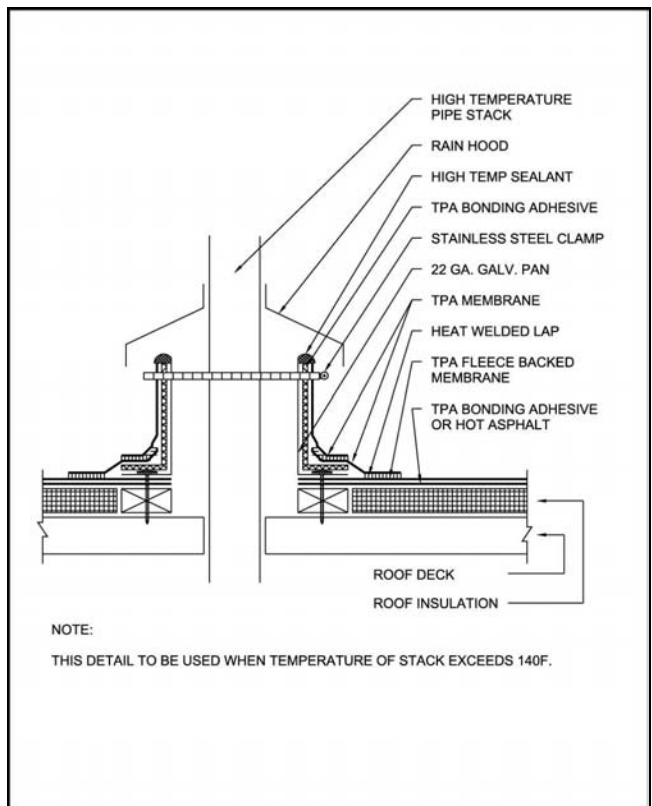
FB-520 Prefabricated Vent Pipe Flashing



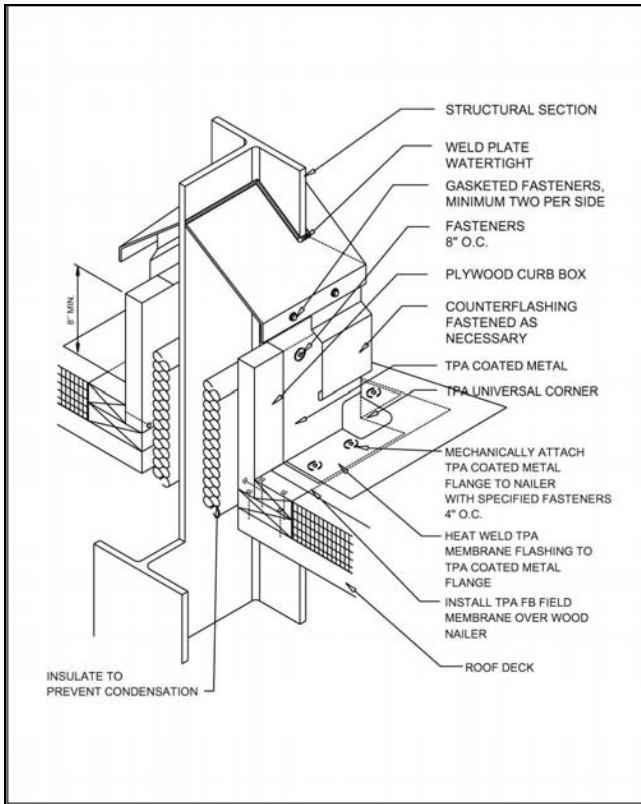
FB-521 Two-Piece Pipe Flashing Detail



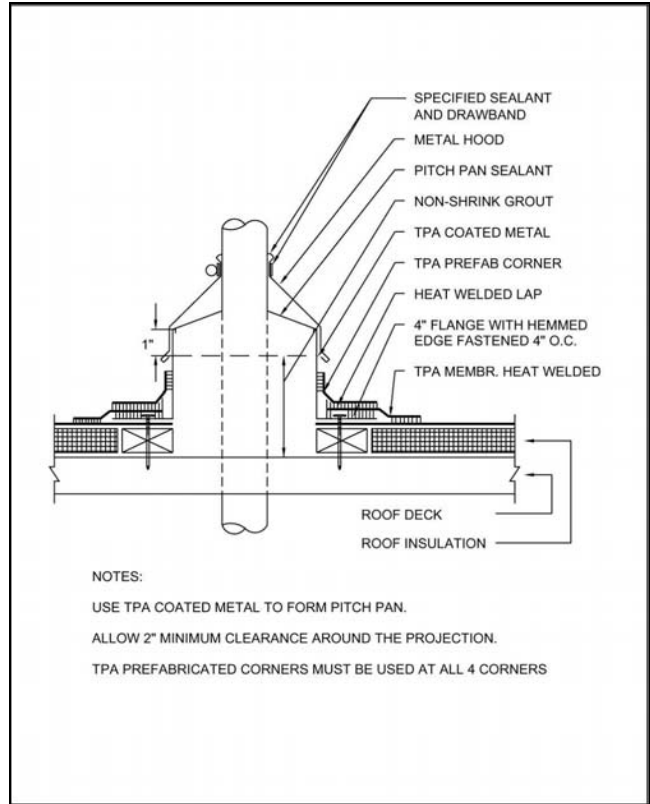
FB-522 High-Temperature Pipe Flashing Detail



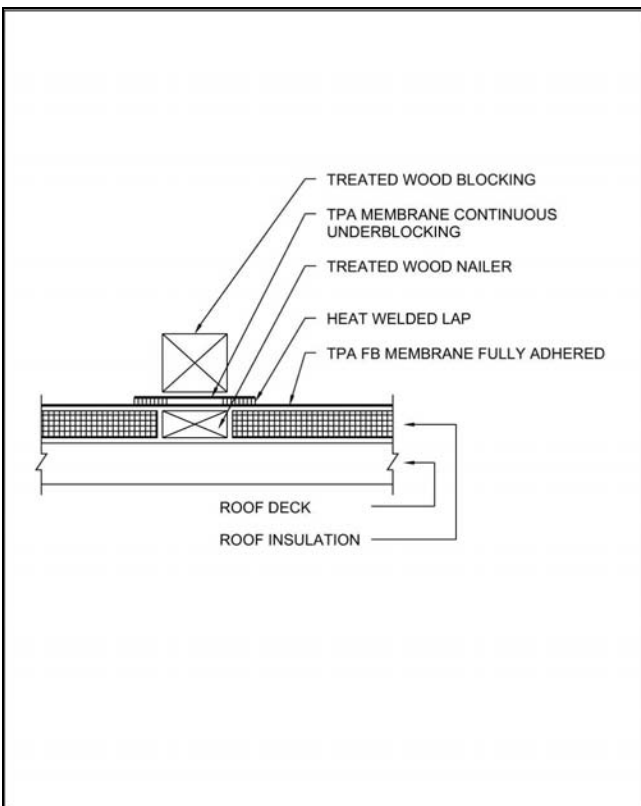
FB-523 I-Beam Flashing Detail



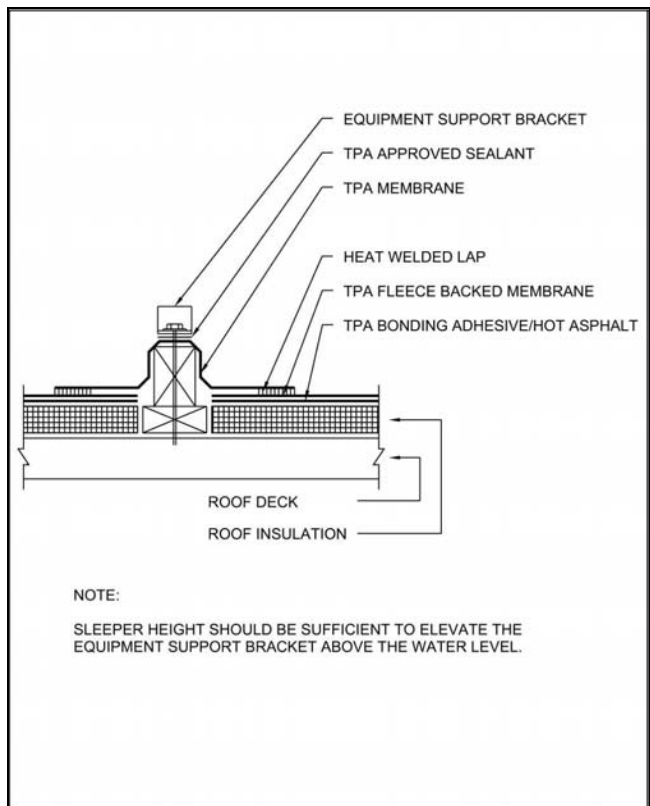
FB-526 Pitch Pocket Flashing Detail



FB-530 Exposed Sleeper

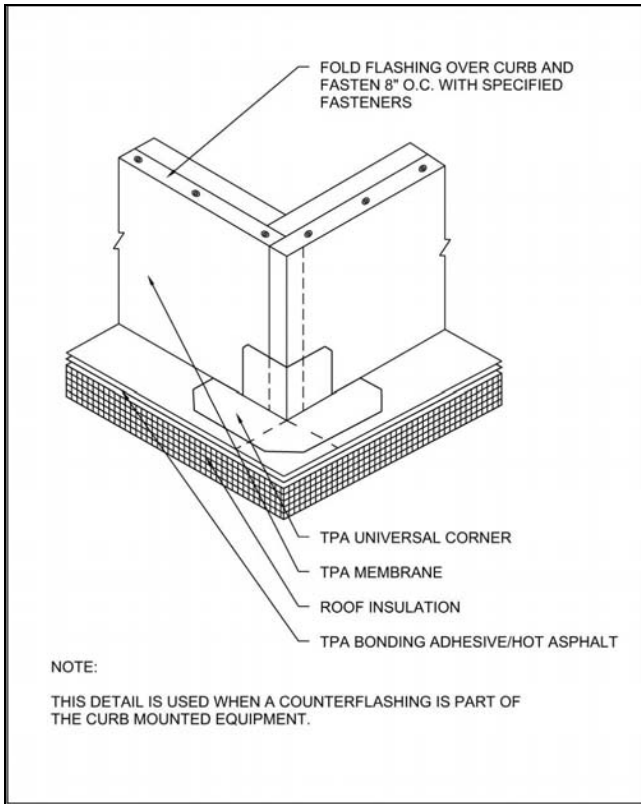


FB-531 Fixed Equipment Support Detail

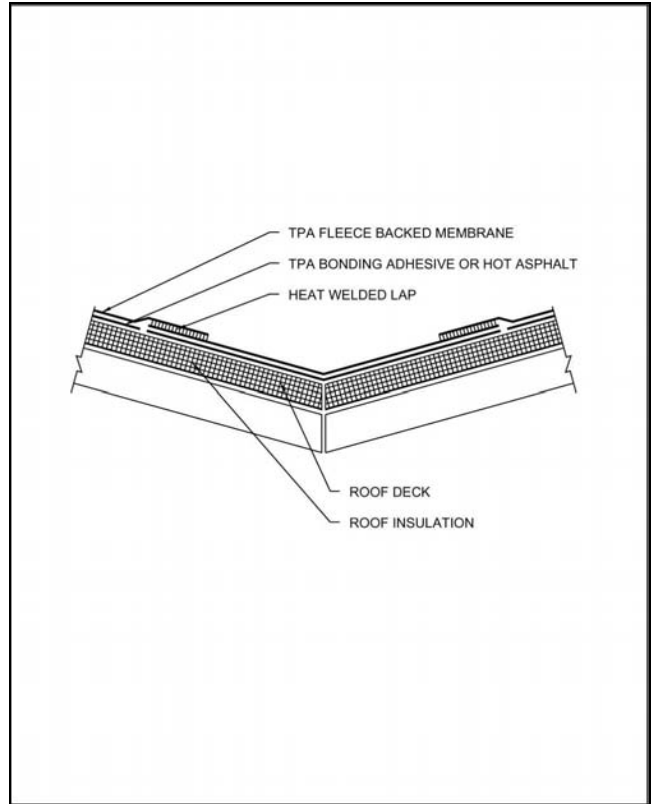


Single Ply

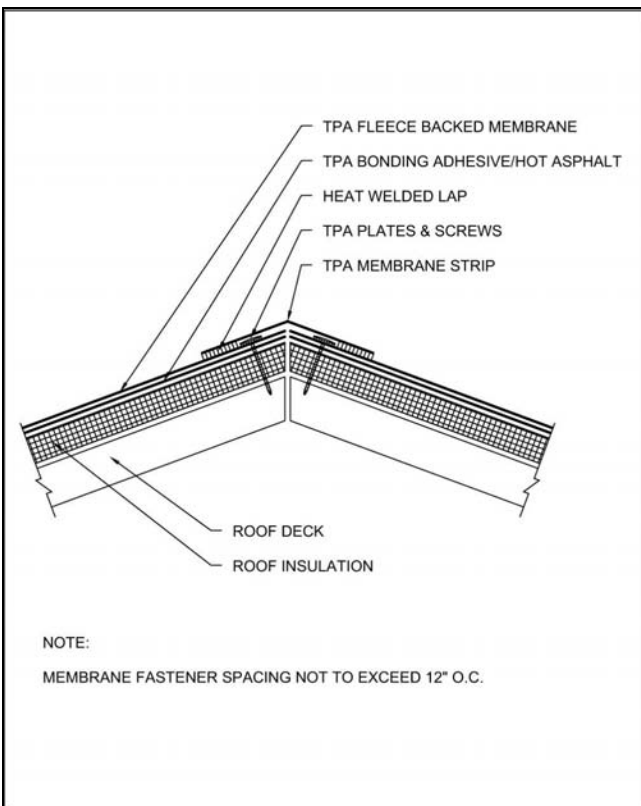
FB-540 Curb Flashing Detail Using TPA Membrane



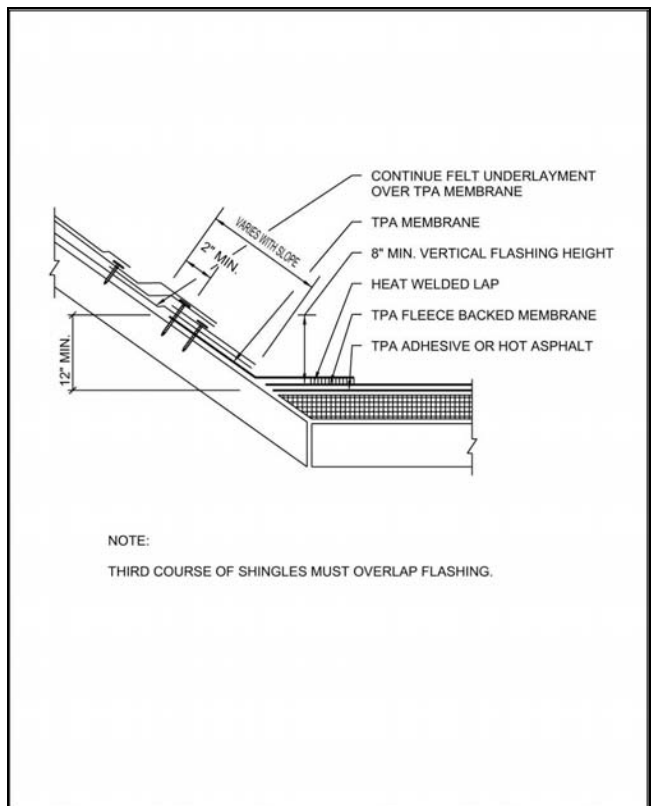
FB-601 Valley Flashing Detail



FB-602 Ridge Flashing Detail

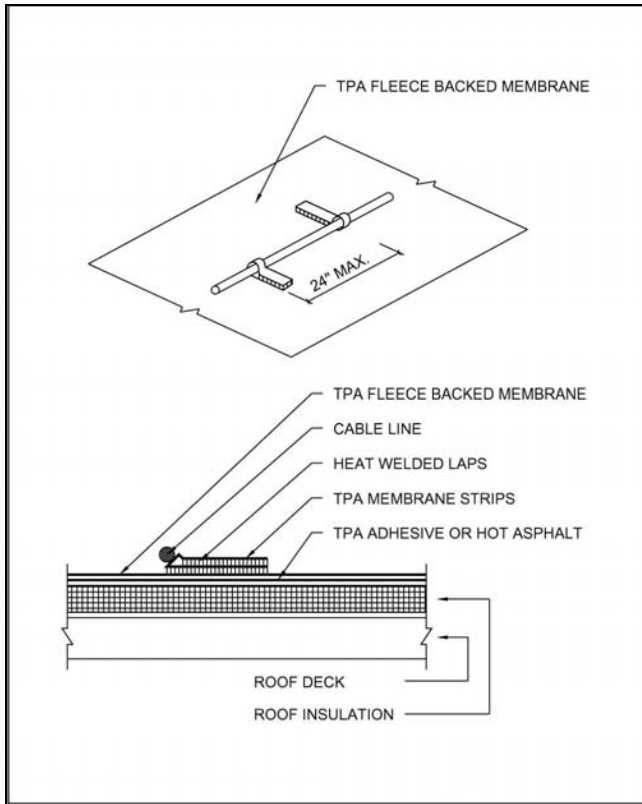


FB-611 Membrane Termination at Sloped Roof

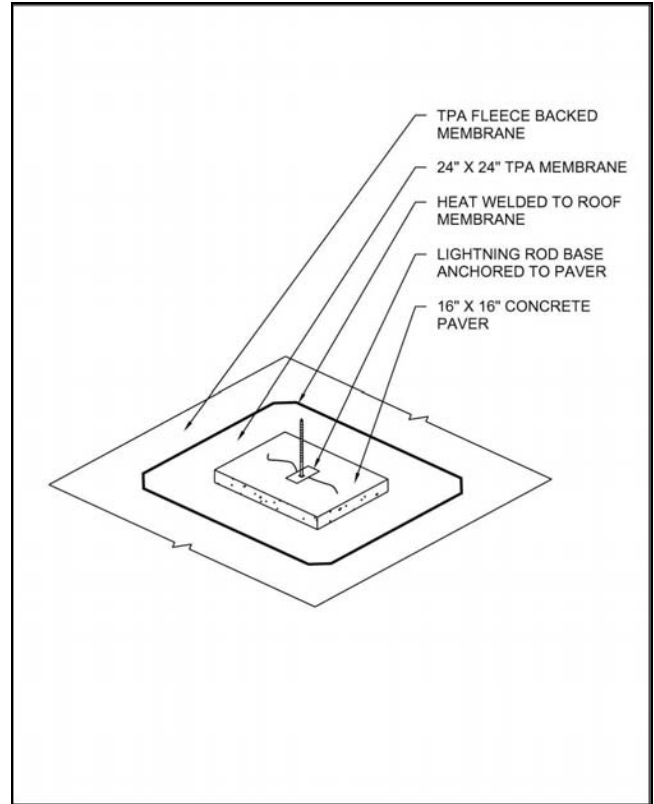


Single Ply

FB-621 Lighting Cable Support Strap Detail



FB-622 Lightning Rod Base Detail



FB-623 Wall Mounted Lighting Rod Detail

